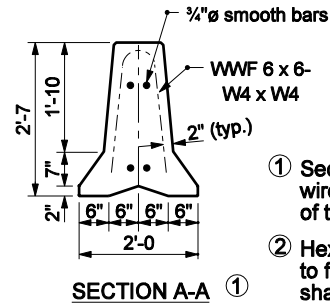


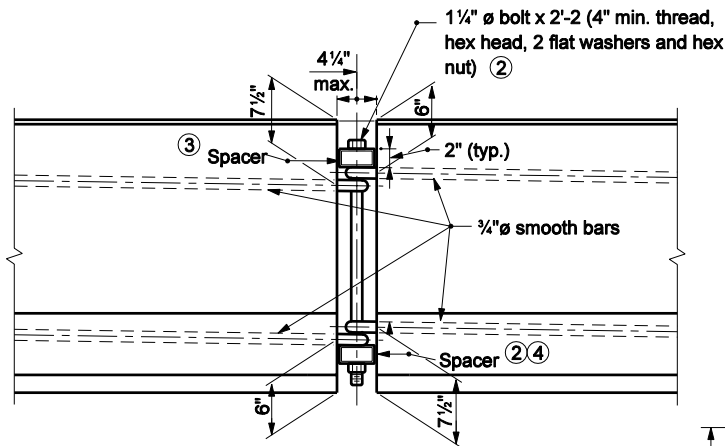
REINFORCEMENT DETAILS



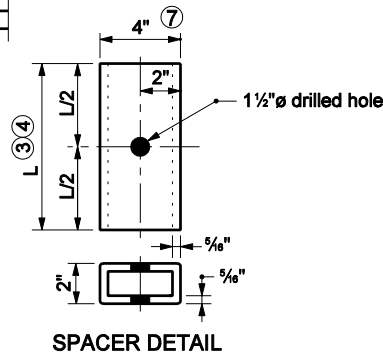
SECTION A-A ①

NOTES :

- ① Section A-A shows reinforcement with welded wire fabric. The WWF may be bent to the shape of the wall.
- ② Hex nut may be tack welded to bottom spacer to facilitate installation and removal. Bolts shall be torqued only to tight condition. Clearance between the spacer and the ends of the barrier shall permit angular deflection at the joints to permit flare rate 11 : 1 or flatter.
- ③ Top spacer TS 4" x 2" x $\frac{5}{16}$ " x 10" long
- ④ Bottom spacer TS 4" x 2" x $\frac{5}{16}$ " x 1'-4" long
- 5 Where necessary to meet short radius curving alignment, the shorter top spacer (10") may be substituted for the standard bottom spacer (16").
- 6 For additional connection details see Standard Drawing E 801-TCCB-01.
- ⑦ Where very short radius curving alignment is encountered, spacers may be TS 3" x 2" x $\frac{1}{4}$ " x the appropriate length as shown above.
- ⑧ In lieu of the connection detail shown, the J-J Hook temporary barrier connection of Easi-Set Industries as described in FHWA acceptance letter B-52 of March 26, 1999 may be used.



**FRONT VIEW
CONNECTION DETAIL**



SPACER DETAIL

| | |
|---------------------------------------|--|
| INDIANA DEPARTMENT OF TRANSPORTATION | |
| TEMPORARY CONCRETE BARRIER DETAILS | |
| MARCH 2005 | |
| STANDARD DRAWING NO. E 801-TCCB-02 | |
| | /s/ Richard L. VanCleave 3-01-05 DESIGN STANDARDS ENGINEER DATE |
| | /s/ Richard K. Smutzer 3-01-05 CHIEF HIGHWAY ENGINEER DATE |
| DESIGN STANDARDS ENGINEER | |