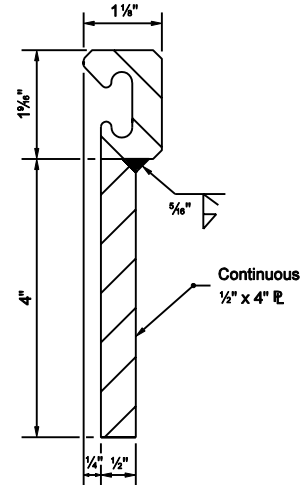
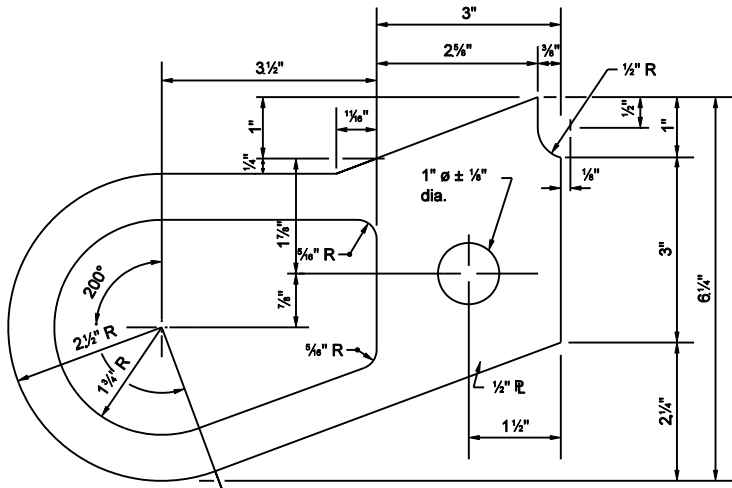


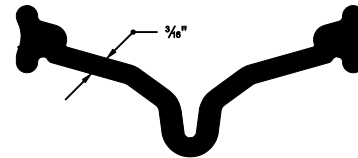
**ANCHOR PLATE ALTERNATE A-1**



**EXTRUSION & PLATE  
ASSEMBLY DETAIL**



**ANCHOR PLATE ALTERNATE A-2**



**STRIP SEAL**

INDIANA DEPARTMENT OF TRANSPORTATION	
EXPANSION JOINTS CLASS SS (ALTERNATE A)	
SEPTEMBER 2003	
STANDARD DRAWING NO. E 724-BSSJ -01	
	/s/ Richard L. VanCleave 9-02-03 DESIGN STANDARDS ENGINEER DATE
	/s/ Richard K. Smutzer 9-02-03 CHIEF HIGHWAY ENGINEER DATE
DESIGN STANDARDS ENGINEER	