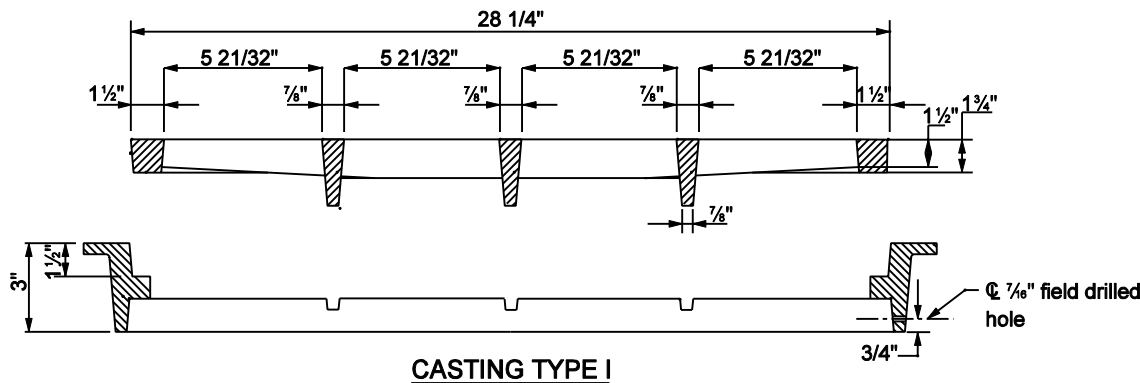
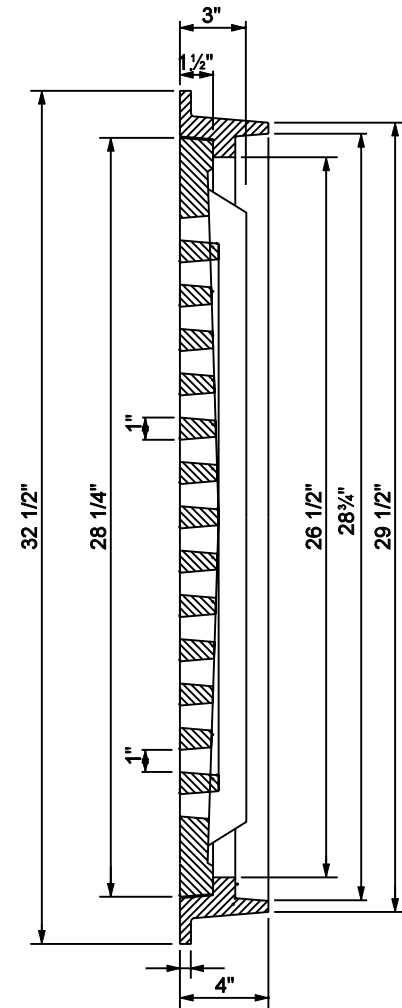
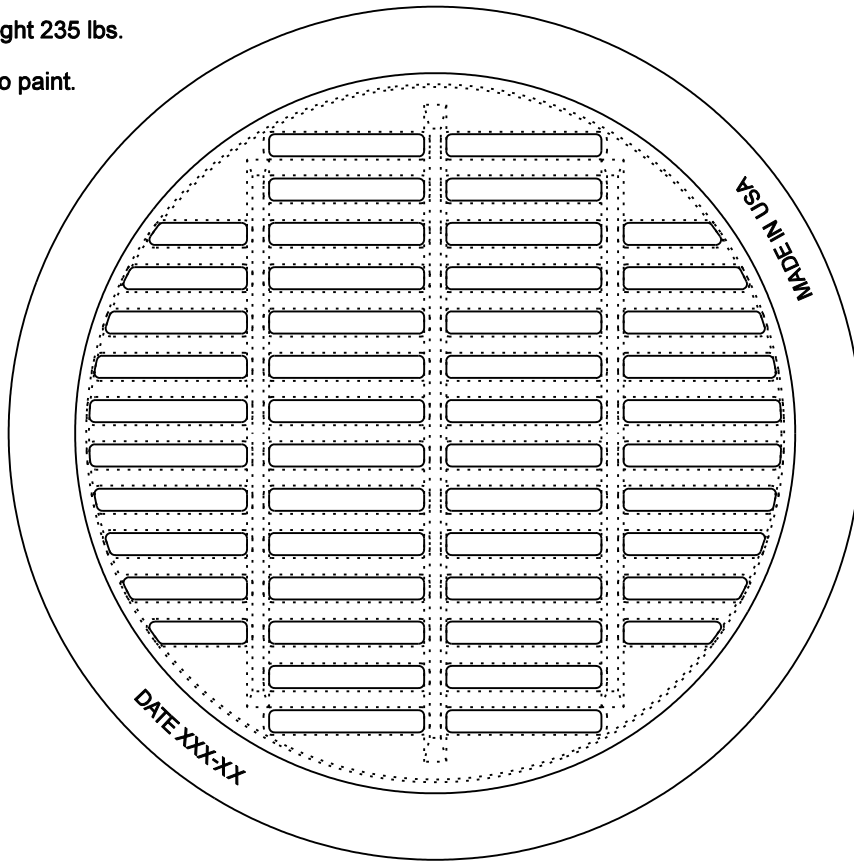


**GENERAL NOTES**

1. Casting total weight 235 lbs.
2. Casting finish: no paint.



**CASTING TYPE I**

INDIANA DEPARTMENT OF TRANSPORTATION	
<b>CASTING TYPE I FRAME AND GRATE</b>	
MARCH 2003	
STANDARD DRAWING NO. E 720-SDCP-02	
	/s/ Richard L. VanCleave 3-03-03 DESIGN STANDARDS ENGINEER DATE
	/s/ Richard K. Smutzer 3-03-03 CHIEF HIGHWAY ENGINEER DATE
DESIGN STANDARDS ENGINEER	