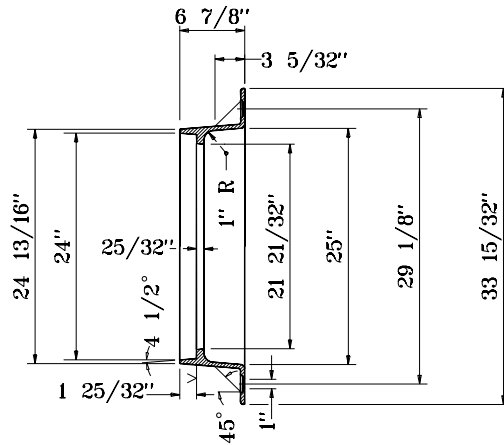
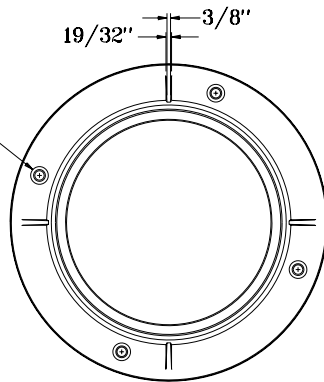


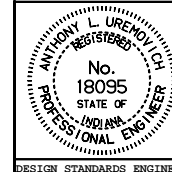
1" dia. anchor bolt holes on a 29 1/8" dia. b.c. 4 reqd.



INDIANA DEPARTMENT OF TRANSPORTATION

**MANHOLE CASTING**  
**TYPE 4 RING AND COVER**  
 SEPTEMBER 1998

STANDARD DRAWING NO **E 720-MHCA-02**



DETAILS PLACED IN THIS FORMAT 11-15-99

/s/ Anthony L. Uremovich 11-15-99  
 DESIGN STANDARDS ENGINEER DATE

/s/ Firooz Zandi 11-15-99  
 CHIEF HIGHWAY ENGINEER DATE

DESIGN STANDARDS ENGINEER

ORIGINALLY APPROVED 9-01-98