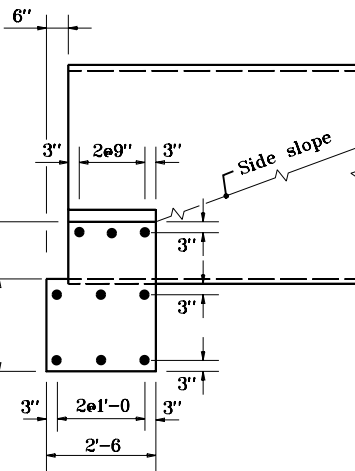


ANCHOR FOR DOUBLE PIPE INSTALLATION
FRONT ELEVATION

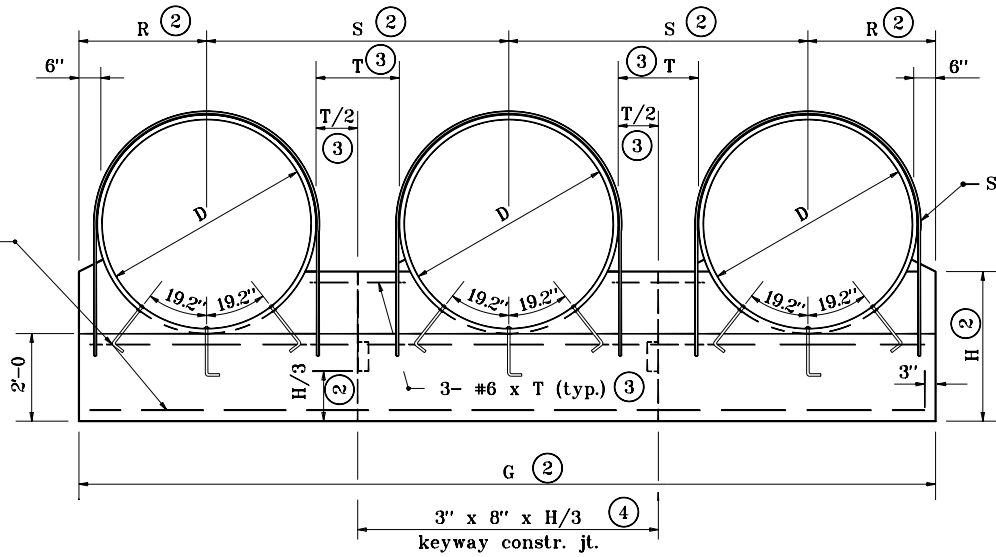


SECTION THROUGH
ANCHOR

GENERAL NOTES

1. Circular pipes shown. For details of structural plate pipe-arches alternates, see partial elevations on Standard Drawing E 717-MPCA-02.
- 2 For dimension, enter chart on Standard Drawing E 717-ANCH-01 with known dimension D.
- 3 T = Clear distance between pipes.
For D less than 48", T = 2'-0."
For D of 48" to 96" T = 1/2 D
For D greater than 96", T = 4'-0."
- 4 No joint required if G is less than or equal to 30'. One joint required if G is greater than 30' but less than or equal to 42'. Two joints required if G is greater than 42'.

2 Rows (3 - #6 x G less 6" ea. row)
(Min. lap = 2'-11")



ANCHOR FOR TRIPLE PIPE INSTALLATION
FRONT ELEVATION

INDIANA DEPARTMENT OF TRANSPORTATION	
MULTIPLE PIPE	
CONCRETE ANCHOR	
JANUARY 1998	
STANDARD DRAWING NO. E 717-MPCA-01	
DETAILS PLACED IN THIS FORMAT 7-27-99	
	/s/ Anthony L. Uremovich 7-27-99 DESIGN STANDARDS ENGINEER DATE
	/s/ Firooz Zandi 7-27-99 CHIEF HIGHWAY ENGINEER DATE
DESIGN STANDARDS ENGINEER	ORIGINALLY APPROVED 1-02-98