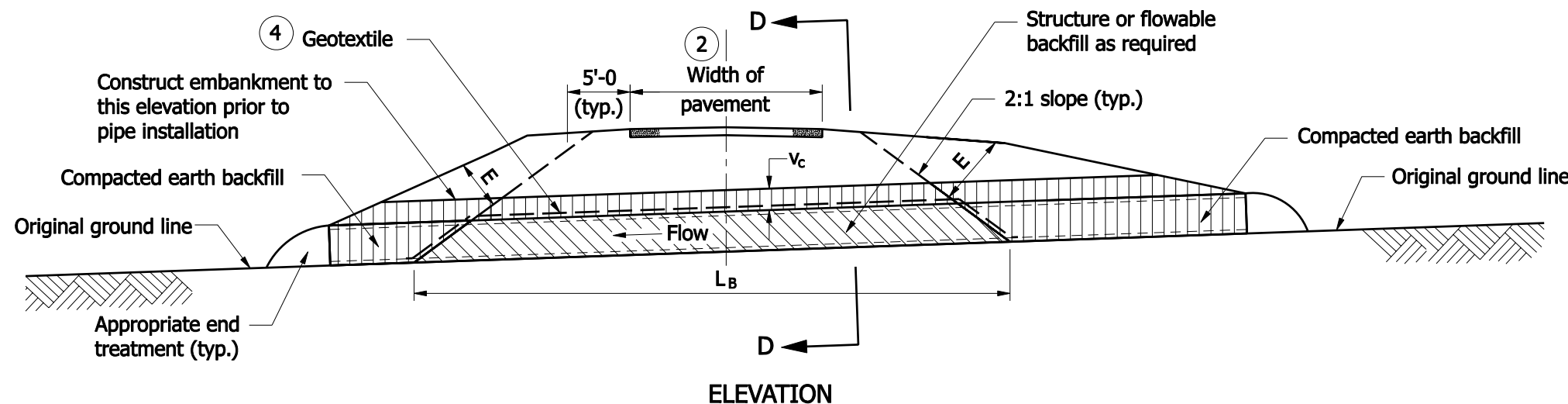
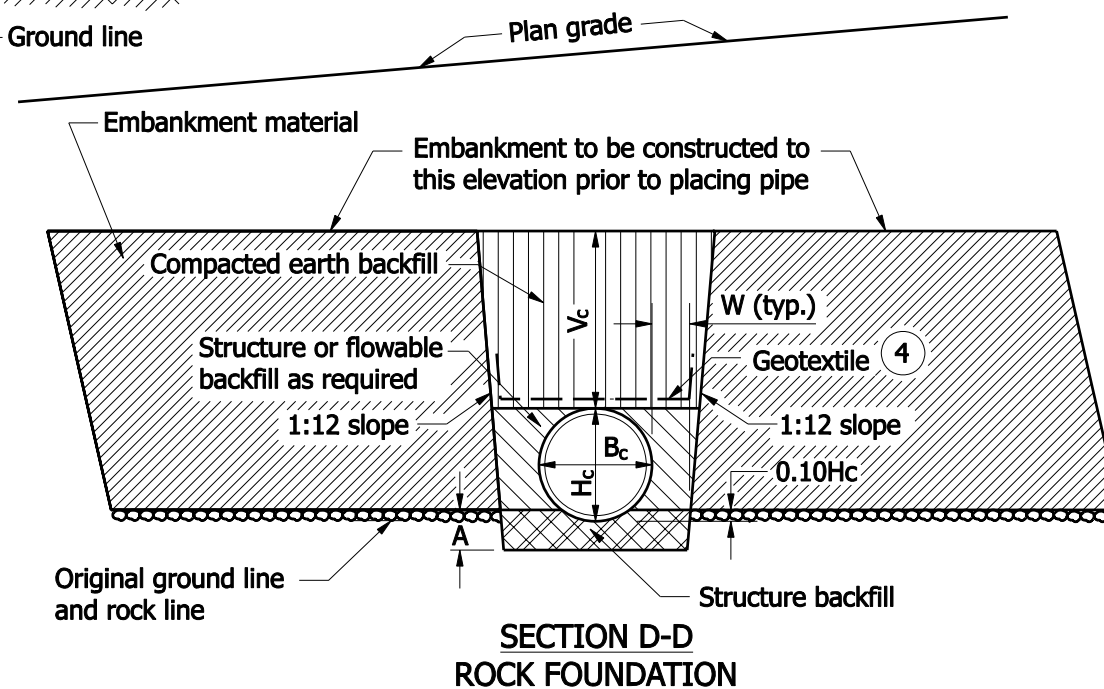


LEGEND

- H_c = Overall diameter or rise (typ.)
- B_c = Overall diameter or span
- A = 8" min. for fill height less than 16'
= 12" min. for fill height of 16' or more
- V_c = 12" for $B_c \leq 18"$
18" for $B_c > 18"$
- W = $0.3 B_c$ or 9", whichever is greater
- E = Encasement
- L_B = Backfill length measured from toe to toe of the 2:1 slopes.



NOTES :

1. Protective cover shall be constructed prior to running heavy equipment over installed pipes. The minimum covers are listed below:
 - a.) 1.5' for $B_c \leq 18"$
 - b.) 3' for $18" < B_c \leq 54"$
 - c.) 4' for $B_c > 54"$
- 2 For backfill purposes, paved shoulders, curbs, and sidewalks are considered pavement. See Standard Drawing E 715-BKFL-10 for pavement limits when curbs, paved shoulders, or sidewalks are present.
3. Flowable or structure backfill shall be encased by compacted earth backfill. The minimum encasement shall be 2 ft. If necessary, the 2:1 slope between the flowable or structure backfill and the encasement shall be modified to maintain the minimum 2 ft encasement.
- 4 Geotextile required if coarse aggregate is used. Geotextile should extend 1 foot beyond each edge of the excavated trench or toe of slope.

INDIANA DEPARTMENT OF TRANSPORTATION									
PIPE BACKFILL METHOD 2									
CLASS II, IV, V AND VI DRIVES, EMBANKMENT									
SEPTEMBER 2007									
STANDARD DRAWING NO. E 715-BKFL-07									
	<table style="width: 100%; border: none;"> <tr> <td style="border: none;"><i>/s/ Richard L. VanCleave</i></td> <td style="border: none; text-align: right;">09/04/07</td> </tr> <tr> <td style="border: none;">DESIGN STANDARDS ENGINEER</td> <td style="border: none; text-align: right;">DATE</td> </tr> <tr> <td style="border: none;"> <i>/s/ Mark A. Miller</i></td> <td style="border: none; text-align: right;"> 09/04/07</td> </tr> <tr> <td style="border: none;">CHIEF HIGHWAY ENGINEER</td> <td style="border: none; text-align: right;">DATE</td> </tr> </table>	<i>/s/ Richard L. VanCleave</i>	09/04/07	DESIGN STANDARDS ENGINEER	DATE	 <i>/s/ Mark A. Miller</i>	 09/04/07	CHIEF HIGHWAY ENGINEER	DATE
<i>/s/ Richard L. VanCleave</i>	09/04/07								
DESIGN STANDARDS ENGINEER	DATE								
 <i>/s/ Mark A. Miller</i>	 09/04/07								
CHIEF HIGHWAY ENGINEER	DATE								
<small>DESIGN STANDARDS ENGINEER</small>									