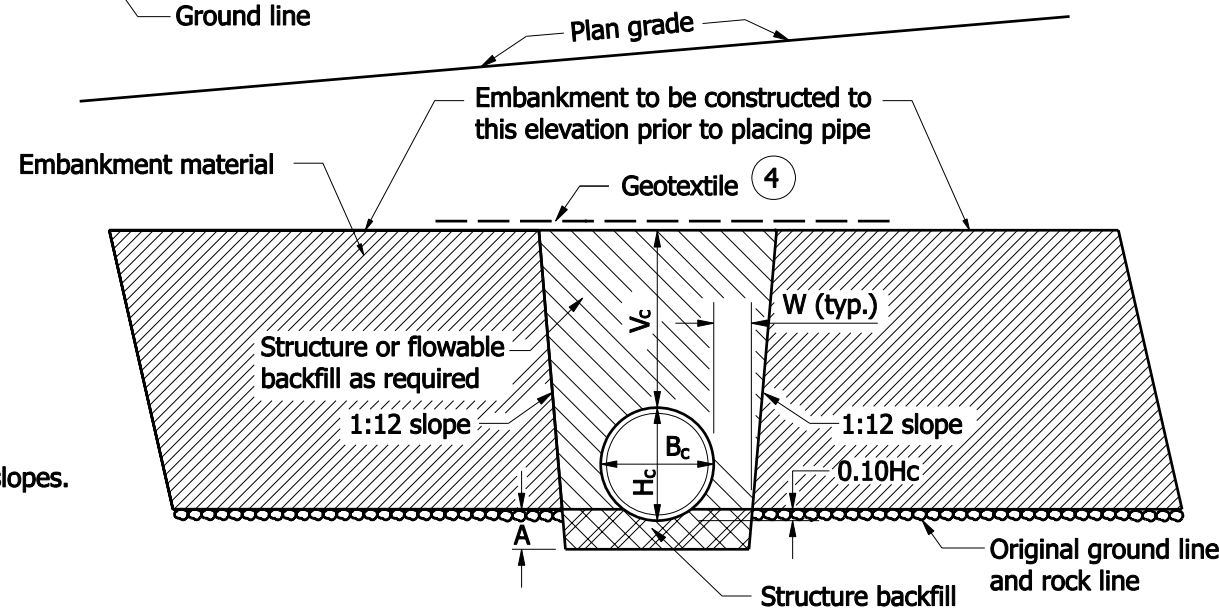


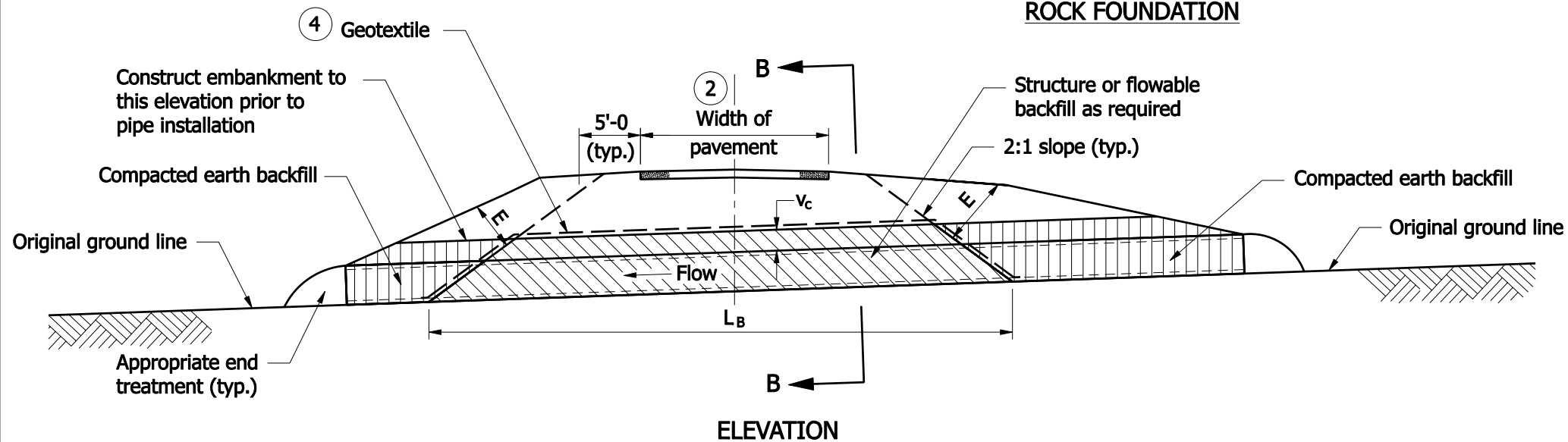
SECTION B-B

LEGEND

- H_c = Overall diameter or rise (typ.)
- B_c = Overall diameter or span
- A = 8" min. for fill height less than 16'
= 12" min. for fill height of 16' or more
- V_c = 12" for $B_c \leq 18"$
18" for $B_c > 18"$
- W = $0.3 B_c$ or 9", whichever is greater
- L_B = Backfill length measured from toe to toe of the 2:1 slopes.



SECTION B-B
ROCK FOUNDATION



ELEVATION

NOTES :

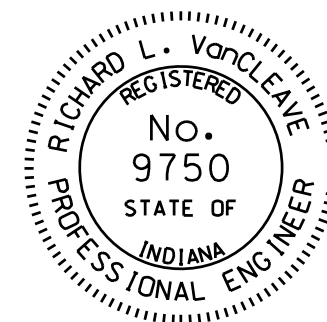
1. Protective cover shall be constructed prior to running heavy equipment over installed pipes. The minimum covers are listed below:
 - a.) 1.5' for $B_c \leq 18"$
 - b.) 3' for $18" < B_c \leq 54"$
 - c.) 4' for $B_c > 54"$
2. For backfill purposes, paved shoulders, curbs, and sidewalks are considered pavement. See Standard Drawing E 715-BKFL-10 for pavement limits when curbs, paved shoulders, or sidewalks are present.
3. Flowable or structure backfill shall be encased by compacted earth backfill. The minimum encasement shall be 2 ft. If necessary, the 2:1 slope between the flowable or structure backfill and the encasement shall be modified to maintain the minimum 2 ft encasement.
4. Geotextile required if coarse aggregate is used. Geotextile should extend 1 foot beyond each edge of the excavated trench or toe of slope.

INDIANA DEPARTMENT OF TRANSPORTATION

PIPE BACKFILL METHOD 1
NEW ROADWAY, EMBANKMENT

SEPTEMBER 2007

STANDARD DRAWING NO. E 715-BKFL-02



DESIGN STANDARDS ENGINEER

/s/ Richard L. VanCleave 09/04/07
DESIGN STANDARDS ENGINEER DATE

/s/ Mark A. Miller 09/04/07
CHIEF HIGHWAY ENGINEER DATE