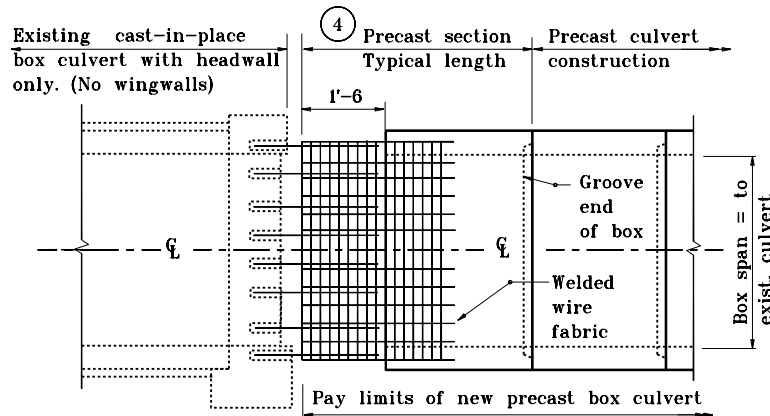


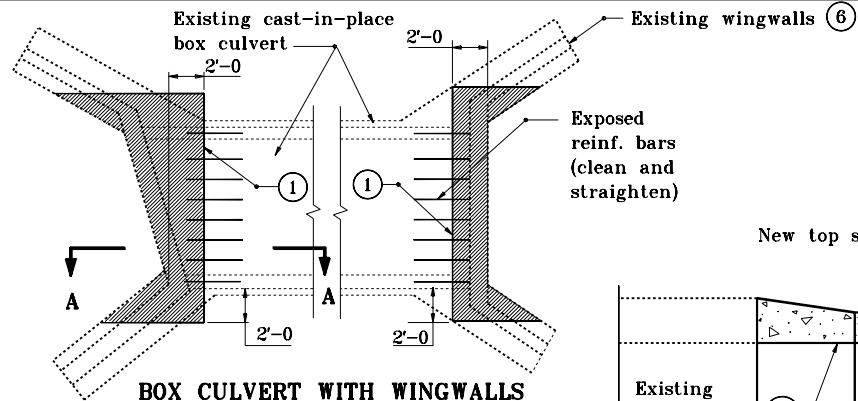
SECTION A-A CONNECTION VIEW



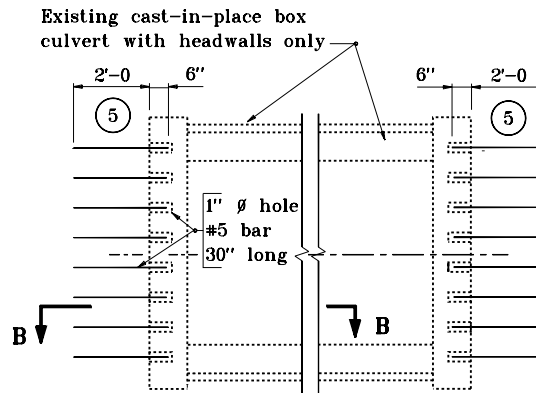
SECTION B-B CONNECTION VIEW

NOTES:

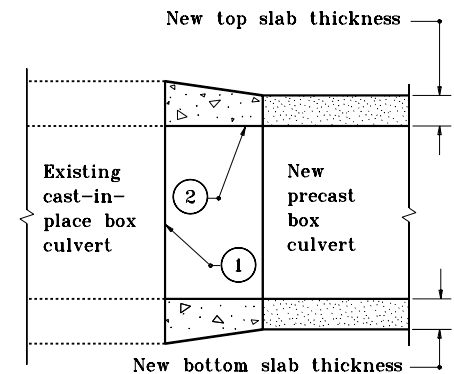
- ① Before removing existing concrete, saw around the perimeter of the removal area on the interior and exterior of the culvert barrel a depth of 1".
- ② Exposed longitudinal steel in existing culvert shall be lapped 1'-6" with exposed mesh in precast box culvert.
- ③ Clean and straighten old bars in sidewalls, top and bottom slabs. Cut existing bars off 1" from face of precast element.
- ④ Reinforcing mesh in the precast box culvert shall be exposed on the tongue end of box. Box culvert with exposed welded wire fabric for 1'-6" length shall be special order.
- ⑤ The holes for dowels shall be drilled along the perimeter of existing headwall a minimum of 6" into old concrete and the dowels firmly set in an approved chemical anchor system.
- ⑥ Remove existing wings as necessary.



**BOX CULVERT WITH WINGWALLS
EXTENSION PREPARATION**



**BOX CULVERT WITH HEADWALLS ONLY
EXTENSION PREPARATION**



**SECTION A-A AND B-B
(Showing cast-in-place section)**

LEGEND :

- Removals
- Existing structures
- New elements or structures

INDIANA DEPARTMENT OF TRANSPORTATION	
PRECAST BOX CULVERT EXTENSION	
JANUARY 1998	
STANDARD DRAWING NO. E 714-BCEX-01	
	DETAILS PLACED IN THIS FORMAT 11-15-99 /s/ Anthony L. Uremovich 11-15-99 <small>DESIGN STANDARDS ENGINEER DATE</small>
<small>DESIGN STANDARDS ENGINEER</small>	/s/ Firooz Zandi 11-15-99 <small>CHIEF HIGHWAY ENGINEER DATE</small> ORIGINALLY APPROVED 1-02-98