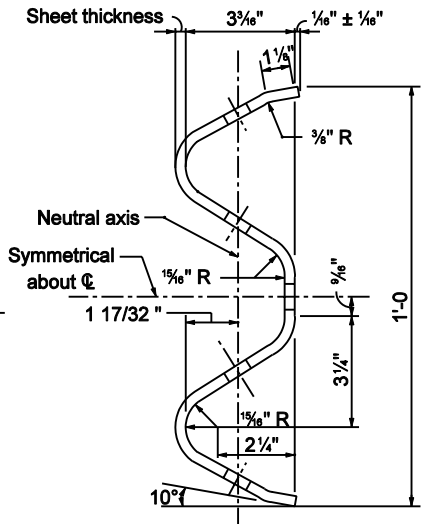


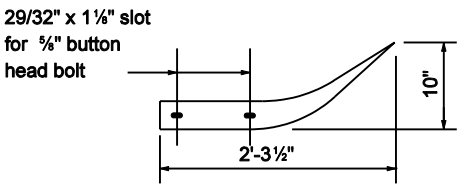
**W-BEAM BACKUP PLATE**



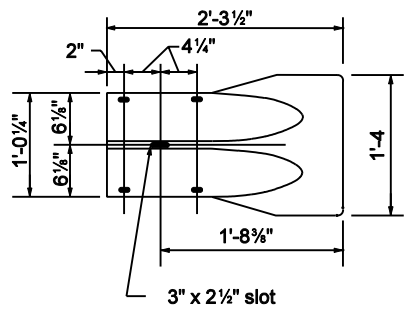
**SECTION THROUGH BEAM ELEMENT**

**GENERAL NOTES**

1. This sheet shall be used when W-beam guardrail is specified. This sheet shall also be used when a W-beam guardrail system requires the use of standard W-beam guardrail components.
2. The details on this sheet are for the standard components of W-beam guardrail.

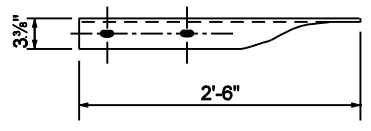


**TOP VIEW**

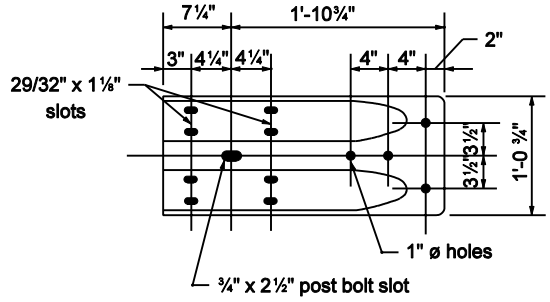


**FRONT VIEW**

**CURVED TERMINAL END**



**TOP VIEW**



**FRONT VIEW**

**W-BEAM TERMINAL CONNECTOR**

INDIANA DEPARTMENT OF TRANSPORTATION	
<b>W-BEAM GUARDRAIL COMPONENTS</b>	
MARCH 2003	
STANDARD DRAWING NO. E 601-WBGC-01	
	/s/ Richard L. VanCleave 3-03-03 DESIGN STANDARDS ENGINEER DATE
	/s/ Richard K. Smutzer 3-03-03 CHIEF HIGHWAY ENGINEER DATE
DESIGN STANDARDS ENGINEER	