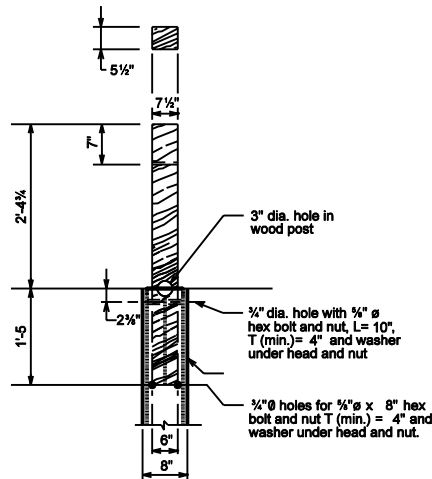


**NESTED W-BEAM GUARDRAIL  
ASSY. WITH MODIFIED POSTS  
OVER STRUCTURE WIDTH  
(POSTS 5 TO 10)**



**POST DETAIL**

3/8" ø button head guardrail bolt with heavy hex nut recessed both sides L= 2'-1" thread length T(min.)= 4"

**NOTES:**

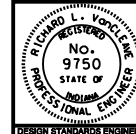
- ① Use modified guardrail posts.

INDIANA DEPARTMENT OF TRANSPORTATION

**GUARDRAIL ASSEMBLY FOR  
STRUCTURE WIDTH > 24'-3"**

SEPTEMBER 2001

STANDARD DRAWING NO. E 601-NWGA-03



/s/ Richard L. VanCleave 9-04-01  
DESIGN STANDARDS ENGINEER DATE

/s/ Firooz Zandi 9-04-01  
CHIEF HIGHWAY ENGINEER DATE

DESIGN STANDARDS ENGINEER