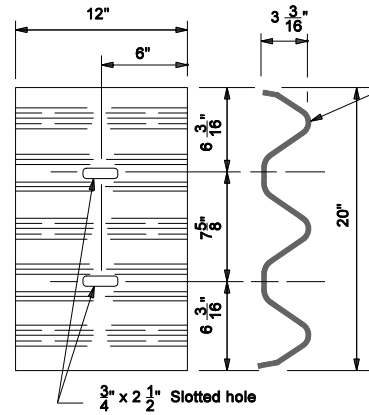


THRIE BEAM GUARDRAIL



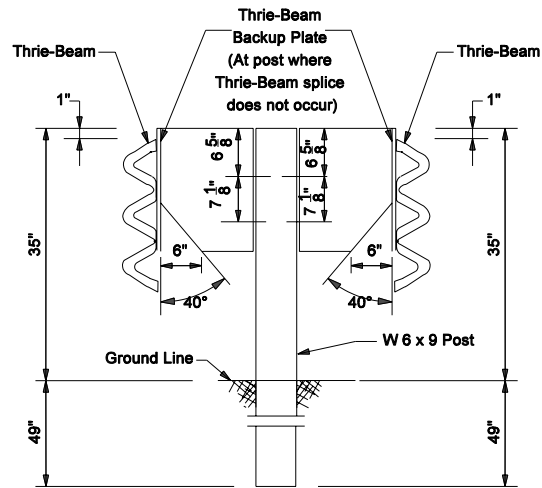
Cross section dimensions shall conform to those shown on Standard Drawing E 601-TGBC-01.

THRIE BEAM GUARDRAIL BACK-UP PLATE

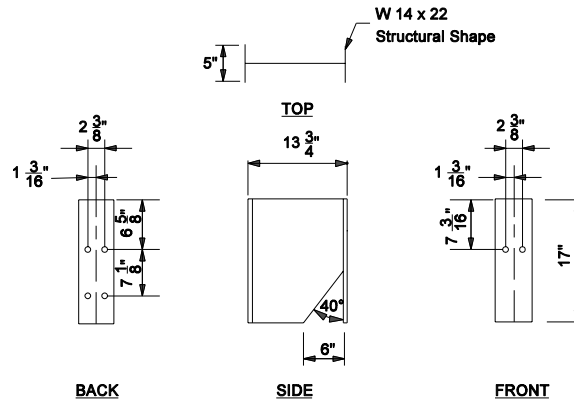
AT LOCATIONS WITHOUT SPLICE

Notes:

1. For Thrie Beam rail section details, see Standard Drawing E 601-TBGC-01.
2. For W 6x9 post hole pattern details, see Standard Drawings E 601-TTGB-03 and E 601-TTGB-04.
3. Typical post spacing for Thrie Beam Guardrail and Double Faced Thrie Beam Guardrail is 6' - 3".
4. Only the blockout material shown may be used.



DOUBLE FACED THRIE BEAM GUARDRAIL



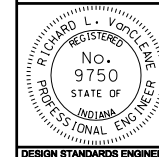
THRIE BEAM GUARDRAIL BLOCKOUT (STEEL ONLY)

INDIANA DEPARTMENT OF TRANSPORTATION

THRIE BEAM GUARDRAIL DETAILS

MARCH 2005

STANDARD DRAWING NO. E 601-MTGR-01



/s/ Richard L. VanCleave 3-01-05
DESIGN STANDARDS ENGINEER DATE

/s/ Richard K. Smutzer 3-01-05
CHIEF HIGHWAY ENGINEER DATE

DESIGN STANDARDS ENGINEER