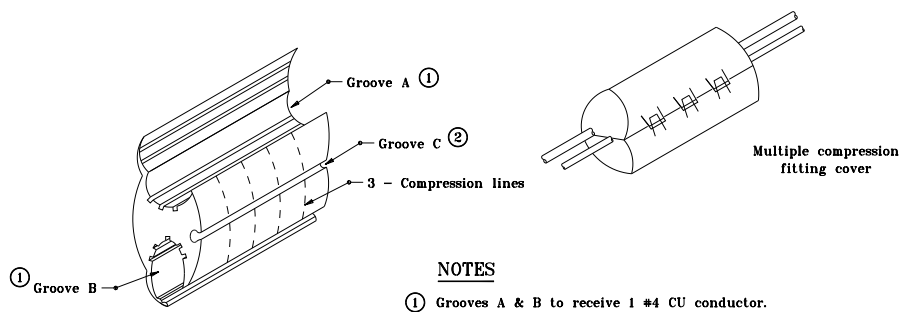


DETAIL A
ALTERNATIVE GROUNDING POSTS



DETAIL B
MULTIPLE COMPRESSION FITTING

NOTES

- ① Grooves A & B to receive 1 #4 CU conductor.
- ② Groove C to receive 1 #10 CU conductor.

LEGEND

- ⊙ — Grounding post
- — Self insulated splicer (insulating link)
- — Unfused connector
- ⊠ — Fused connector
- ▣ — Compression connector

All dimensions are in mm unless otherwise specified.

INDIANA DEPARTMENT OF TRANSPORTATION	
LIGHTING WIRING DETAILS	
JANUARY 1996	
STANDARD DRAWING NO. 807-LTWR-02	
	/s/ Anthony L. Uremovich 1-02-96 DESIGN STANDARDS ENGINEER DATE
	/s/ Donald W. Lucas 1-02-96 CHIEF HIGHWAY ENGINEER DATE