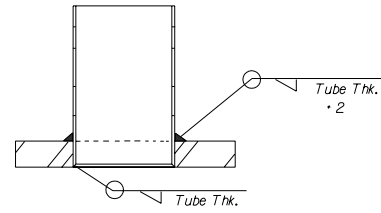
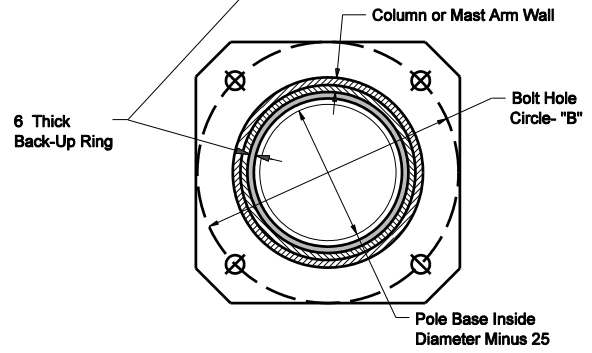
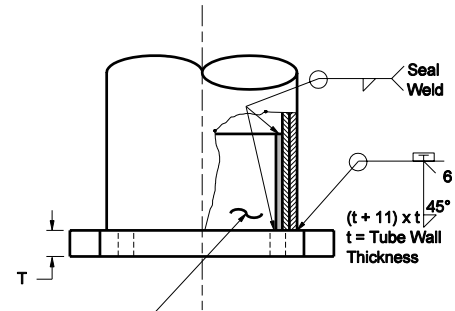


**GROUNDING CONNECTION**

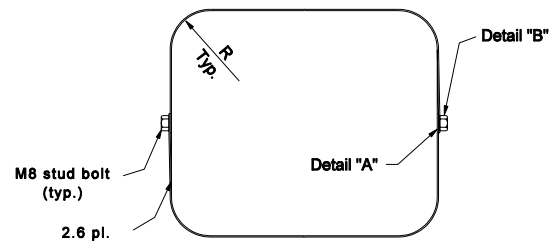


**COLUMN - TO BASE PLATE OR  
MAST - ARM - TO - FLANGE - PLATE  
SOCKET CONNECTIONS  
SINGLE-PLY TUBE**

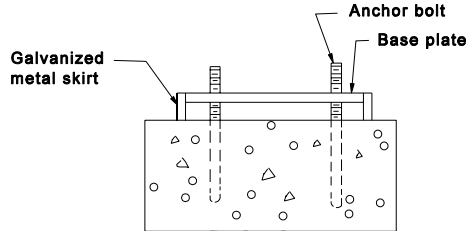


**COLUMN - TO BASE PLATE OR  
MAST - ARM - TO - FLANGE - PLATE  
BUTT-SPLICES**

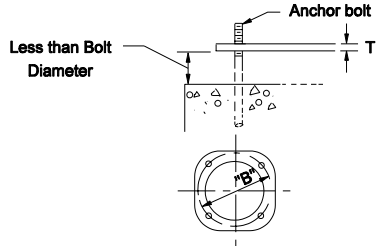
**MULTI-PLY TUBE**



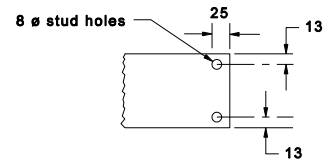
**SKIRT DETAIL**



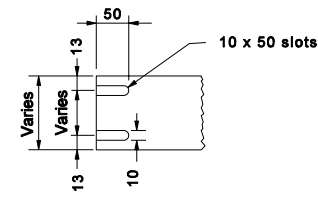
**GALVANIZED METAL COVER**



**BASE PLATE**



**DETAIL "A"**



**DETAIL "B"**

All Dimensions are in mm unless otherwise specified

INDIANA DEPARTMENT OF TRANSPORTATION

**OVERHEAD SIGN DETAILS**

MARCH 2006

STANDARD DRAWING NO. 802-SNOC-05

	/s/ Richard L. VanCleave	3-01-06
	DESIGN STANDARDS ENGINEER	DATE
	/s/ Richard K. Smutzer	3-01-06
	CHIEF HIGHWAY ENGINEER	DATE

DESIGN STANDARDS ENGINEER