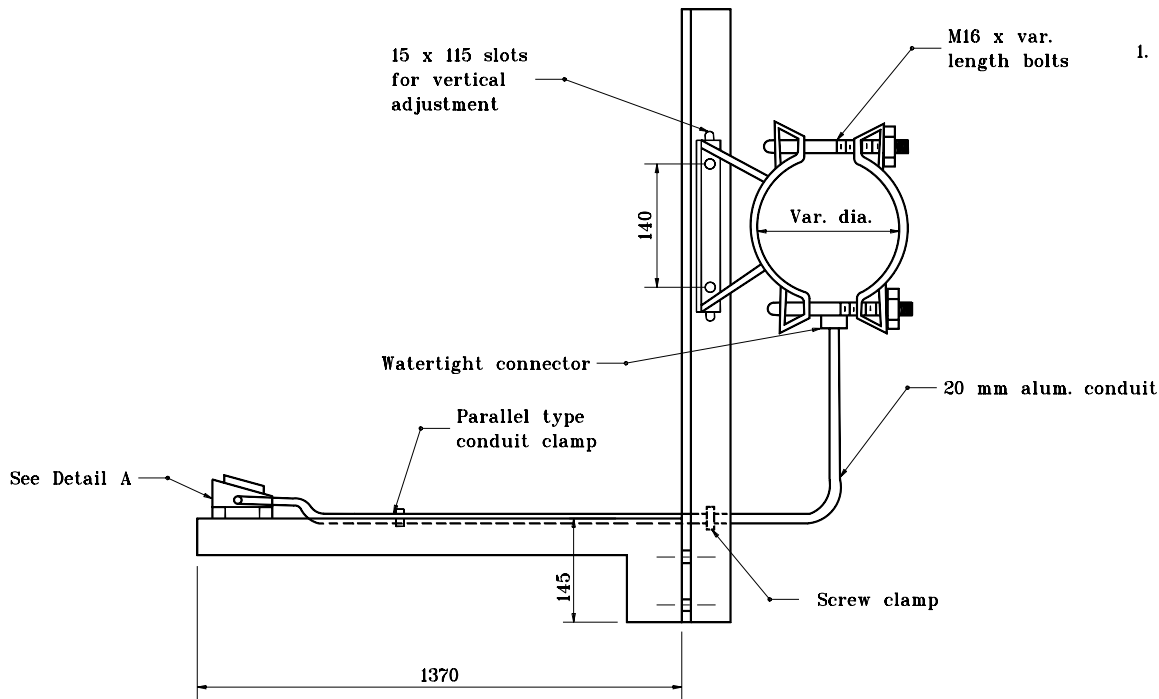
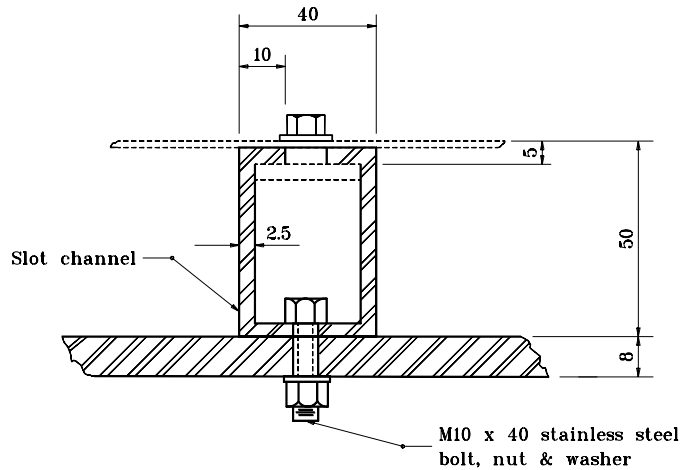


**GENERAL NOTES**

1. For connection details see Sign Wiring Details on the plans.



**CONDUIT / LIGHTING DETAIL**  
(For single arm or beam sign bracket)



**DETAIL A**

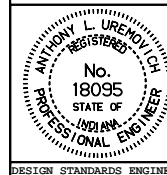
All dimensions are in mm unless otherwise specified.

INDIANA DEPARTMENT OF TRANSPORTATION

**CONDUIT / LIGHTING**

SEPTEMBER 2001

STANDARD DRAWING NO. 802-SNIL-07



/s/ Anthony L. Uremovich 9-04-01  
DESIGN STANDARDS ENGINEER DATE

/s/ Firooz Zandi 9-04-01  
CHIEF HIGHWAY ENGINEER DATE

DESIGN STANDARDS ENGINEER