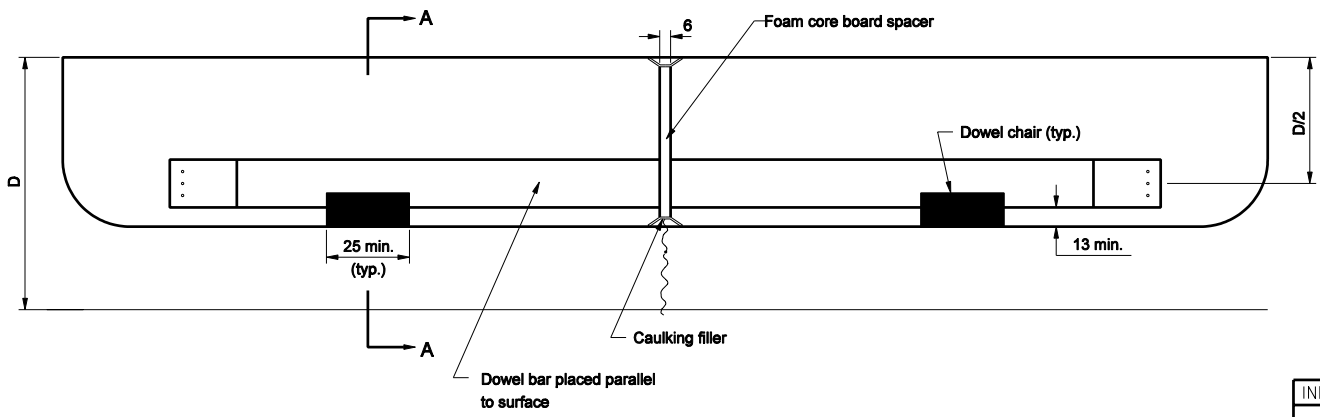
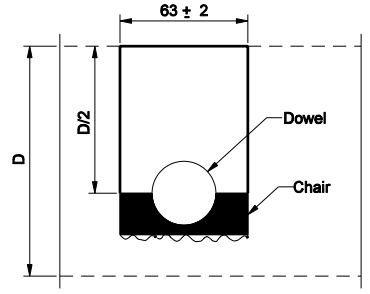


**NOTES:**

1. For dowel slot layout requirements, see Standard Drawing 305-RLTC-02.



Dowel bar placed parallel to surface

DOWEL BAR SIZES	
Pavement Thickness D	Minimum Dowel Bar Diameter
Less than 300	32
Greater than or equal to 300	38

**DOWEL SLOT DETAILS**

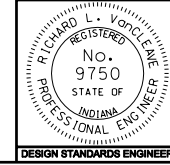
All dimensions are in mm unless otherwise specified

INDIANA DEPARTMENT OF TRANSPORTATION

**RETROFIT LOAD TRANSFER FOR PCCP**

SEPTEMBER 2004

STANDARD DRAWING NO. 507-RLTC-01



/s/ Richard L. VanCleave 9-01-04  
DESIGN STANDARDS ENGINEER DATE

/s/ Richard K. Smutzer 9-01-04  
CHIEF HIGHWAY ENGINEER DATE

DESIGN STANDARDS ENGINEER