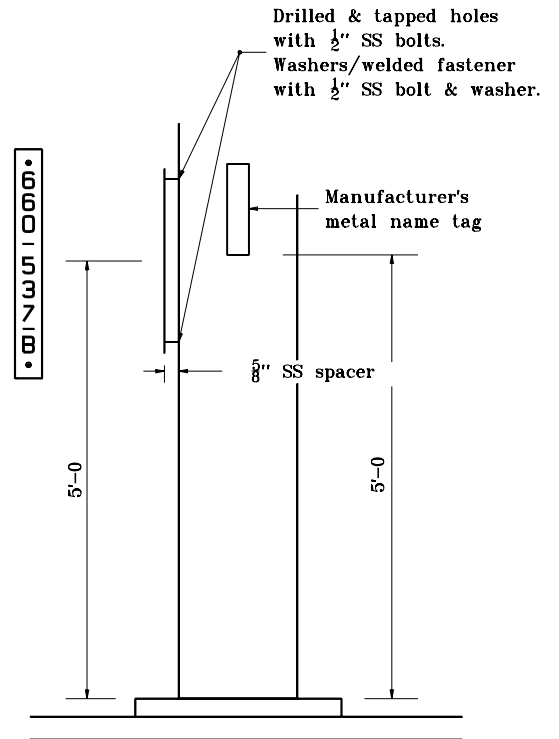


**MOUNTING DETAIL**



**ID PLATES FOR HIGH MAST POLE**

INDIANA DEPARTMENT OF TRANSPORTATION	
HIGH MAST POLE	
ID PLATES	
MARCH 1995	
STANDARD DRAWING NO. E 807-LTHM-01	
DETAILS PLACED IN THIS FORMAT 11-15-99	
	/s/ Anthony L. Uremovich 11-15-99 DESIGN STANDARDS ENGINEER DATE
	/s/ Firooz Zandi 11-15-99 CHIEF HIGHWAY ENGINEER DATE
	ORIGINALLY APPROVED 3-01-95