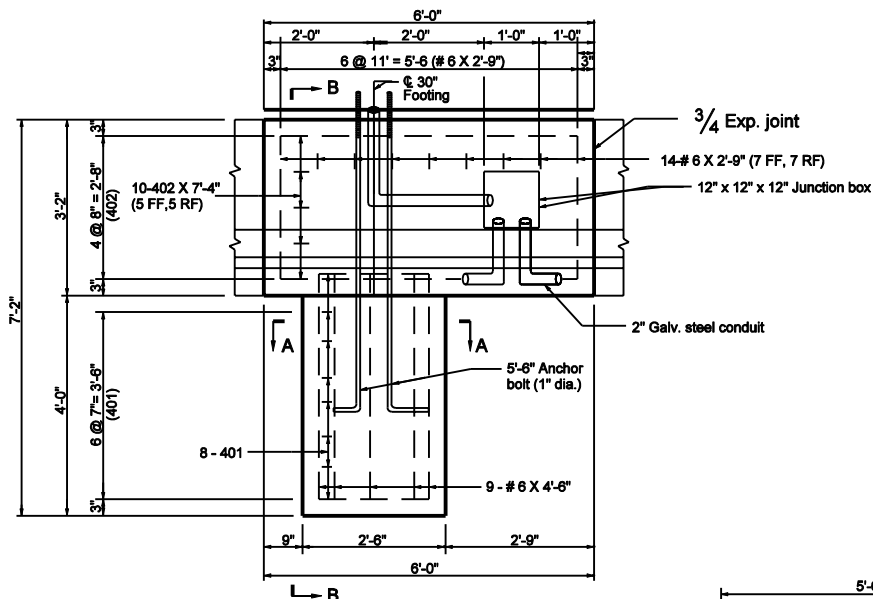
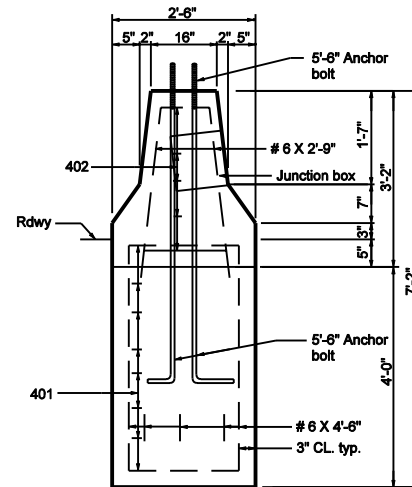


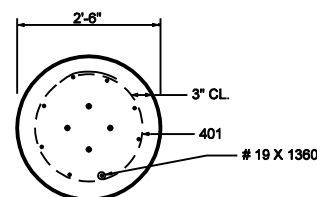
PLAN



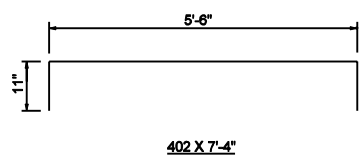
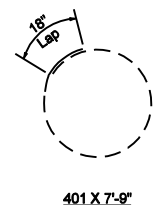
ELEVATION



SECTION B-B



SECTION A-A



Notes:

1. 2" galvanized steel conduit and junction box can be installed in the median shoulder, the junction box must be in front of the light foundation.
2. Junction box shall meet the following specifications:
 - a. Material: Polymer concrete
 - b. Color: Concrete gray
 - c. Cover rating: 20,000 lbs.
3. Field cut rebar to accommodate junction box

INDIANA DEPARTMENT OF TRANSPORTATION	
CONVENTIONAL LIGHT FOUNDATION FOR 33" CONCRETE MEDIAN WALL INSTALLATION, SEPTEMBER 2002	
STANDARD DRAWING NO. E 807-LTFD-09	
	/s/ Richard L. VanCleave 9-03-02 DESIGN STANDARDS ENGINEER DATE
	/s/ Richard K. Smutzer 9-03-02 CHIEF HIGHWAY ENGINEER DATE
DESIGN STANDARDS ENGINEER	