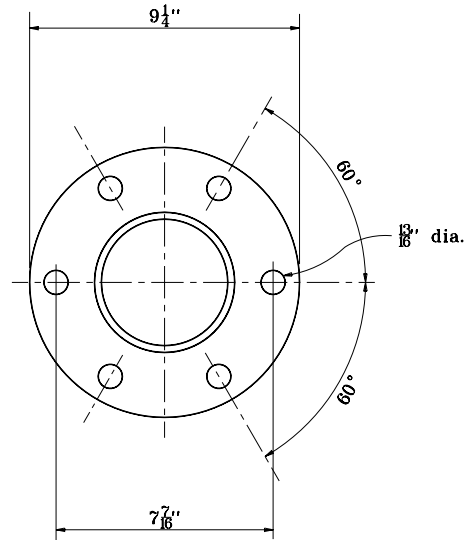
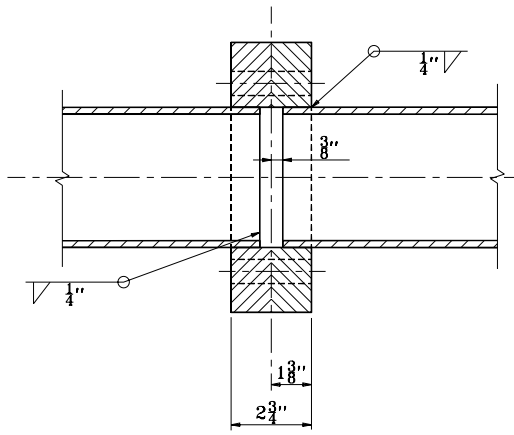


**GENERAL NOTES**

1. Flanges shall be given additional finish if necessary to ensure contact between plates.



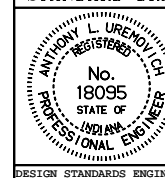
**SPLICE DETAIL**

INDIANA DEPARTMENT OF TRANSPORTATION

**ALUMINUM STRUCTURE  
SPLICE DETAIL**

SEPTEMBER 2001

STANDARD DRAWING NO. **E 802-SNOH-11**



/s/ Anthony L. Uremovich 9-04-01  
DESIGN STANDARDS ENGINEER DATE

/s/ Firooz Zandi 9-04-01  
CHIEF HIGHWAY ENGINEER DATE

DESIGN STANDARDS ENGINEER