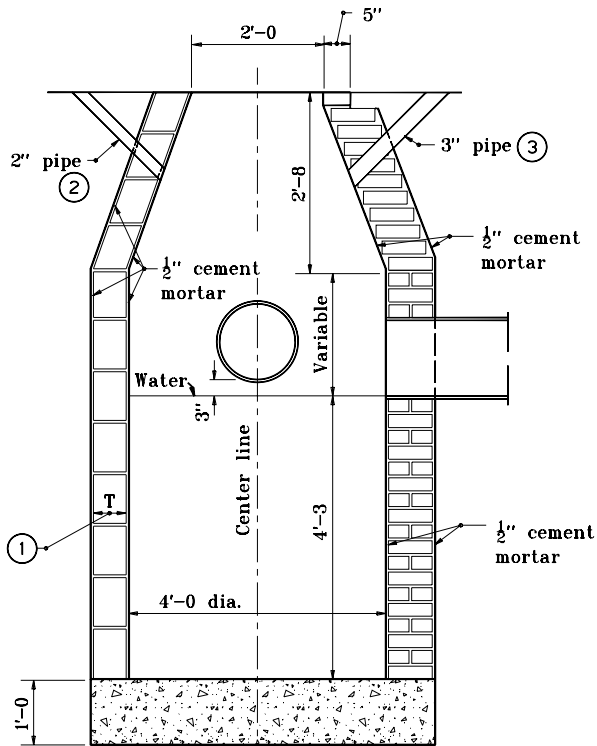
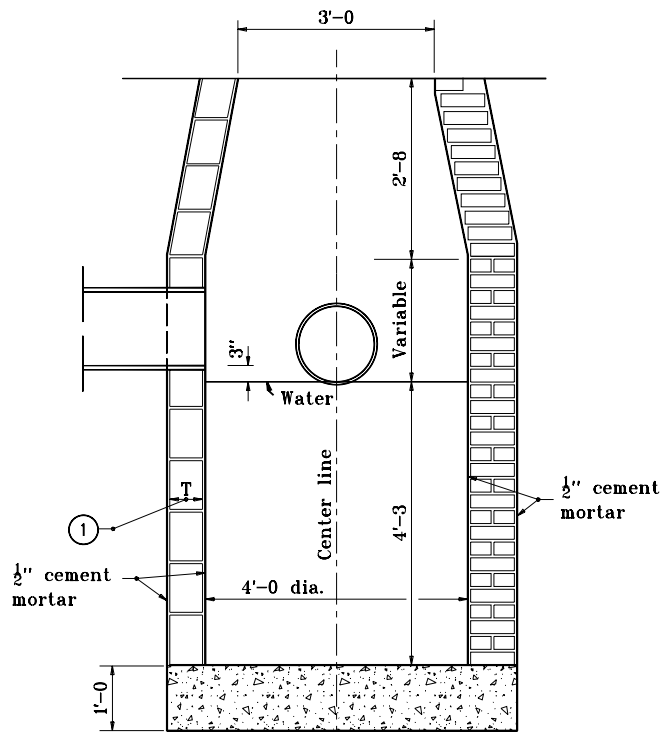


GENERAL NOTES

- ① T = 8" for brick structure
T = 6" for segmental block structure
- ② 2" pipe drain from bottom of curb to inlet. Aggregate to be placed around inlet end of pipe.
- ③ 3" min. dia. pipe to be kept open for drainage of subgrade or base until surface is placed.



SECTION A-A



SECTION B-B

INDIANA DEPARTMENT OF TRANSPORTATION	
CATCH BASIN TYPE J	
APRIL 1995	
STANDARD DRAWING NO. E 720-CBST-04	
	DETAILS PLACED IN THIS FORMAT 11-15-99 /s/ Anthony L. Uremovich 11-15-99 DESIGN STANDARDS ENGINEER DATE
DESIGN STANDARDS ENGINEER	/s/ Firooz Zandi 11-15-99 CHIEF HIGHWAY ENGINEER DATE ORIGINALLY APPROVED 4-03-95