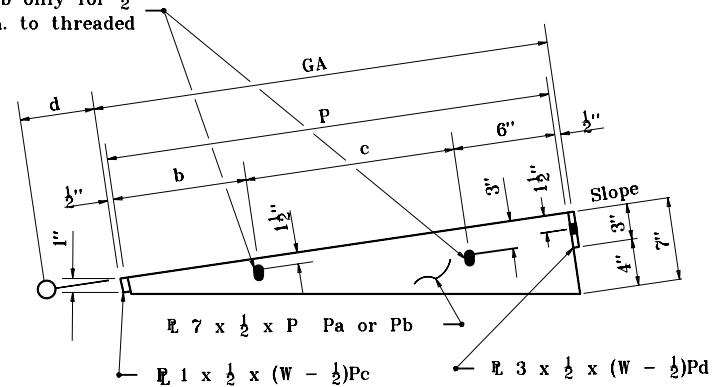


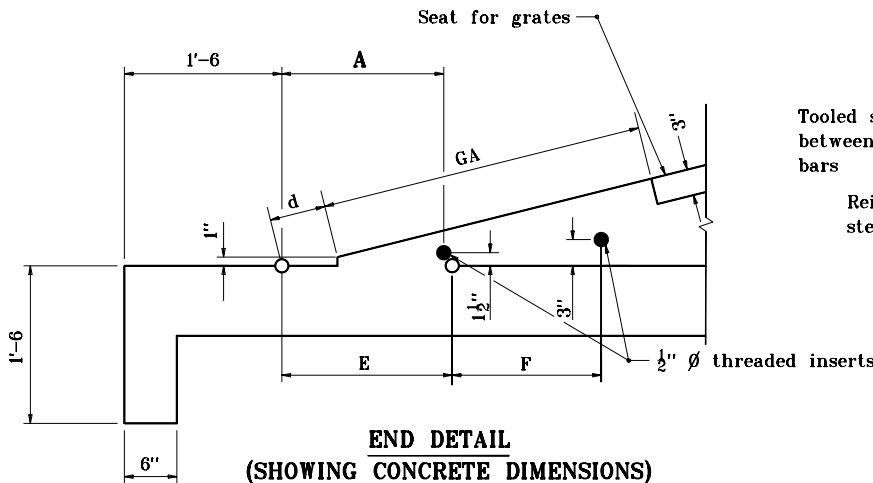
GRATE B & C

1" x 2" slotted hole in R. Pb only for $\frac{1}{2}$ " bolt conn. to threaded inserts.

PLAN VIEW

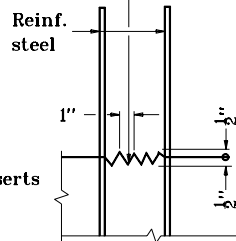


ELEVATION GRATE A

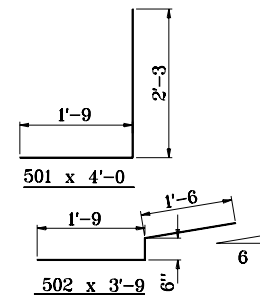


END DETAIL (SHOWING CONCRETE DIMENSIONS)

Tooled surface between reinf. bars



TYPE A CONSTR. JOINT



INDIANA DEPARTMENT OF TRANSPORTATION	
GRATED BOX END SECTION TYPE II	
JANUARY 1999	
STANDARD DRAWING NO. E 715-GBTT-02	
DETAILS PLACED IN THIS FORMAT 11-15-99	
	/s/ Anthony L. Uremovich 11-15-99 DESIGN STANDARDS ENGINEER DATE
	/s/ Firooz Zandi 11-15-99 CHIEF HIGHWAY ENGINEER DATE
DESIGN STANDARDS ENGINEER	ORIGINALLY APPROVED 1-04-99