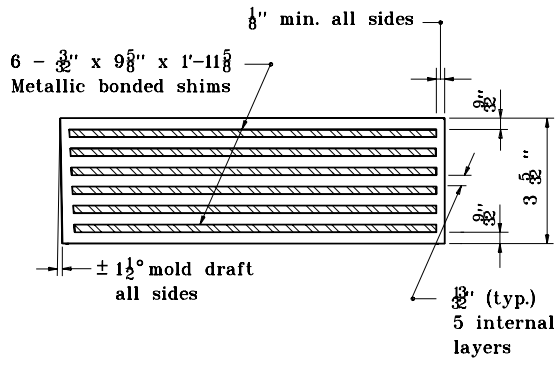
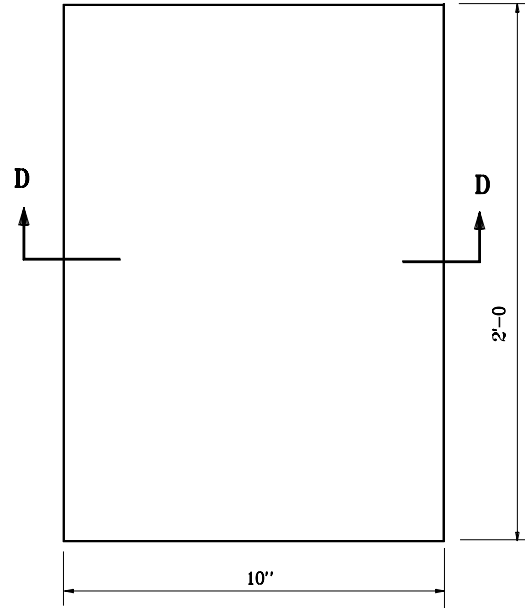


SECTION C-C

TYPE 3

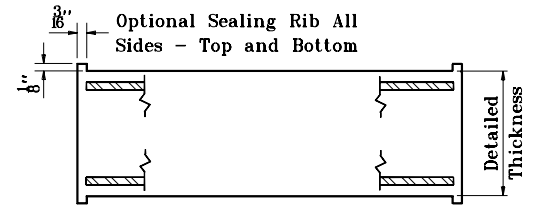


SECTION D-D

TYPE 4

NOTES :

1. Material: 55 (±5) durometer elastomer. Pads Type 3 and 4 will normally be used with prestressed I beams of the same number. For continuous structures and special designs the pad design shall be checked.
2. The proper pad type to be used with spread box beams shall be determined by design.
3. The sealing ribs shown in Alternate Section C-C and D-D are optional for pads Type 3 and 4. If used, the rib shall extend along all sides of the pad both top and bottom.



**OPTIONAL SEALING RIBS
ALTERNATE SECTIONS C-C AND D-D**

INDIANA DEPARTMENT OF TRANSPORTATION	
ELASTOMERIC BEARING PADS	
TYPE 3 & 4	
JANUARY 1995	
STANDARD DRAWING NO. E 707-BEBP-02	
	DETAILS PLACED IN THIS FORMAT 11-15-99
/s/ Anthony L. Uremovich 11-15-99 <small>DESIGN STANDARDS ENGINEER DATE</small>	/s/ Firooz Zandi 11-15-99 <small>CHIEF HIGHWAY ENGINEER DATE</small>
<small>DESIGN STANDARDS ENGINEER</small>	<small>ORIGINALLY APPROVED 1-03-95</small>