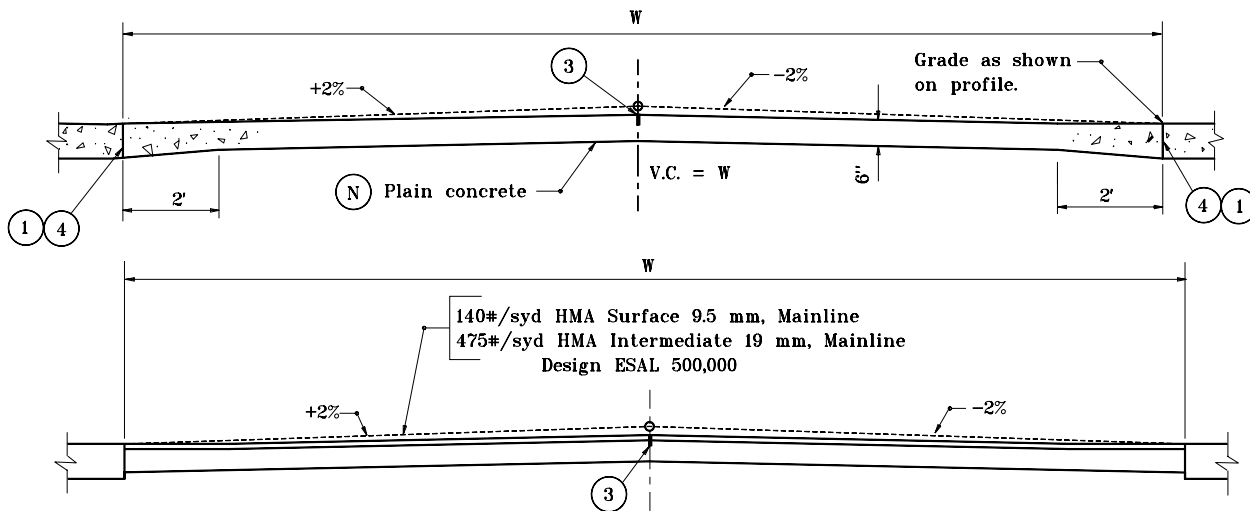


**SECTION A-A
TO BE USED WITH CROWN PAVEMENTS.**



**SECTION B-B
TO BE USED WITH 3 in. TILTED PAVEMENTS**

NOTES :

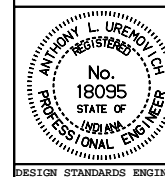
- (N) Private drive crossover shall be constructed of a flexible pavement unless otherwise directed by the Engineer.
- (1) Thickened edge to the mainline thickness or 8" min. for plain concrete crossovers.
- 2. For location of cross sections see Standard Drawing E 610-DRIV-17.
- (3) Contraction joint type D-1, see Standard Drawing E 501-CCPJ-06 for details.
- (4) Keyway construction joint, see Standard Drawing E 610-DRIV-16 for details.
- (5) 1" preformed joint filler

INDIANA DEPARTMENT OF TRANSPORTATION

**PRIVATE DRIVE CROSSOVERS
CROSS SECTIONS**

JANUARY 2000

STANDARD DRAWING NO. **E 610-DRIV-18**



/s/ Anthony L. Uremovich 1-03-00
DESIGN STANDARDS ENGINEER DATE

/s/ Firooz Zandi 1-03-00
CHIEF HIGHWAY ENGINEER DATE

DESIGN STANDARDS ENGINEER