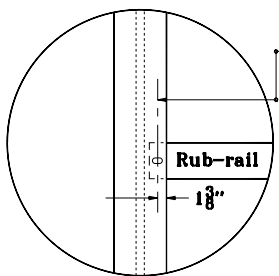


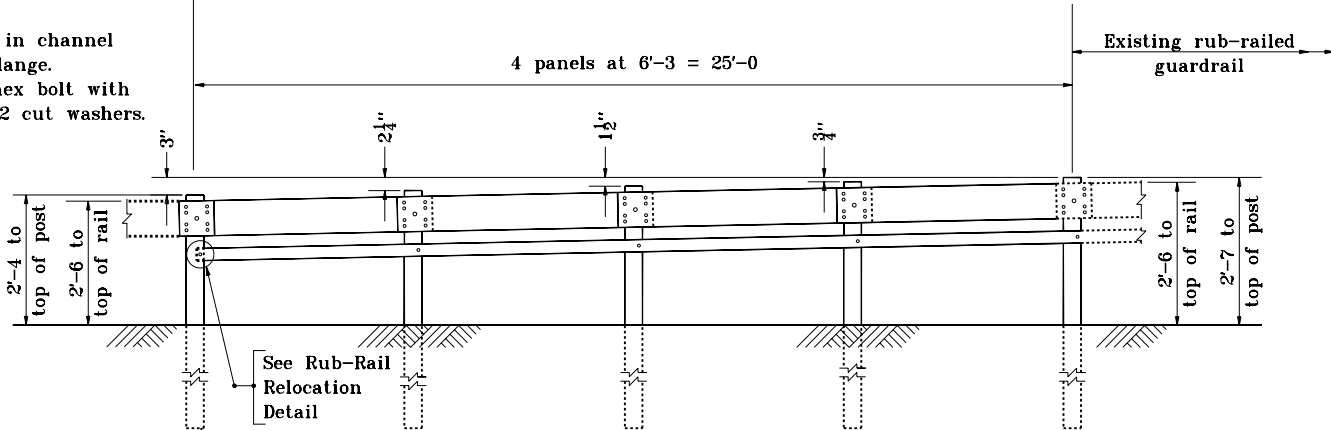
NOTES

1. This transition shall be used where new W-beam guardrail is being attached to existing rub-railed W-beam guardrail. This transition shall also be used where a new lower height guardrail end treatment is being attached to existing rub-railed type guardrail.
2. These details are for the height adjustment of existing rub-railed type guardrail.
3. If rub-rail is not spliced at post, the channel shall be cut and repositioned behind the flange.
4. If rub-rail is spliced at post, the splice material shall be removed and the channel shall be repositioned behind the flange.

W-beam guardrail,
guardrail transition type TGB,
guardrail transition type WGB,
guardrail end treatment type MS, or
guardrail end treatment type OS.



3/4" x 2' slot in channel
3/4" hole in flange.
Install 5/8" hex bolt with
hex nut and 2 cut washers.



ELEVATION

RUB-RAIL RELOCATION DETAIL

GUARDRAIL TRANSITION TYPE VH AT 6'-3" POST SPACING

INDIANA DEPARTMENT OF TRANSPORTATION	
GUARDRAIL TRANSITION TYPE VH	
APRIL 1995	
STANDARD DRAWING NO. E 601-TTVH-01	
DETAILS PLACED IN THIS FORMAT 11-15-99	
	/s/ Anthony L. Uremovich 11-15-99 DESIGN STANDARDS ENGINEER DATE
	/s/ Firooz Zandi 11-15-99 CHIEF HIGHWAY ENGINEER DATE
	ORIGINALLY APPROVED 4-03-95