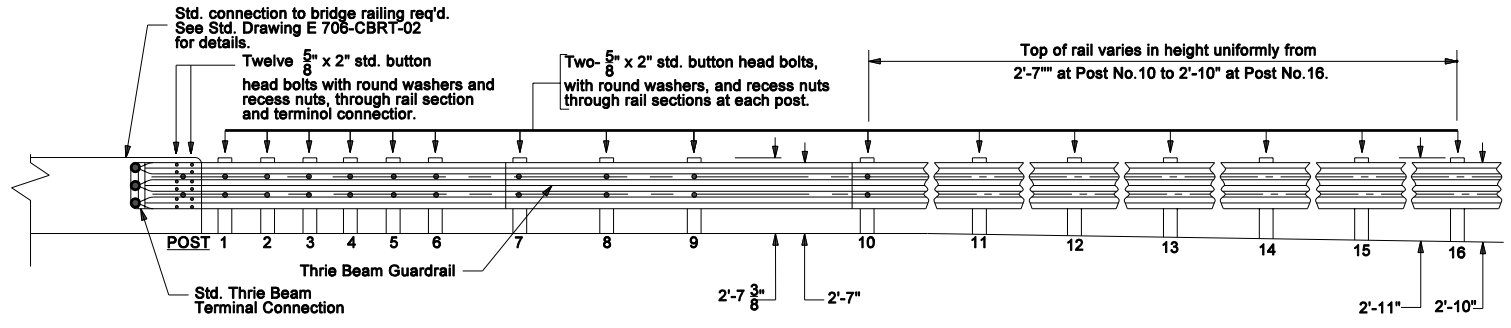



PARTIAL PLAN



PARTIAL ELEVATION

Notes:

1. For Thrie Beam Guardrail post and blockout details from bridge rail to Post No. 10 see Standard Drawings E 601-TTGB-01 and E 601-TTGB-03.
2. For Thrie Beam Guardrail post and blockout details with the exception of height above shoulder surface for Posts No. 11 thru 16, see Standard Drawing E 601-TTGB-03.

INDIANA DEPARTMENT OF TRANSPORTATION											
THRIE BEAM GUARDRAIL TO THRIE BEAM GUARDRAIL TRANSITION, TTT											
MARCH 2005											
STANDARD DRAWING NO. E 601-TMTT-01											
	<table style="width: 100%; border: none;"> <tr> <td style="border: none;">/s/ Richard L. VanCleave</td> <td style="border: none; text-align: right;">3-01-05</td> </tr> <tr> <td style="border: none;">DESIGN STANDARDS ENGINEER</td> <td style="border: none; text-align: right;">DATE</td> </tr> <tr> <td colspan="2" style="border: none;"> </td> </tr> <tr> <td style="border: none;">/s/ Richard K. Smutzer</td> <td style="border: none; text-align: right;">3-01-05</td> </tr> <tr> <td style="border: none;">CHIEF HIGHWAY ENGINEER</td> <td style="border: none; text-align: right;">DATE</td> </tr> </table>	/s/ Richard L. VanCleave	3-01-05	DESIGN STANDARDS ENGINEER	DATE			/s/ Richard K. Smutzer	3-01-05	CHIEF HIGHWAY ENGINEER	DATE
/s/ Richard L. VanCleave	3-01-05										
DESIGN STANDARDS ENGINEER	DATE										
/s/ Richard K. Smutzer	3-01-05										
CHIEF HIGHWAY ENGINEER	DATE										
DESIGN STANDARDS ENGINEER											