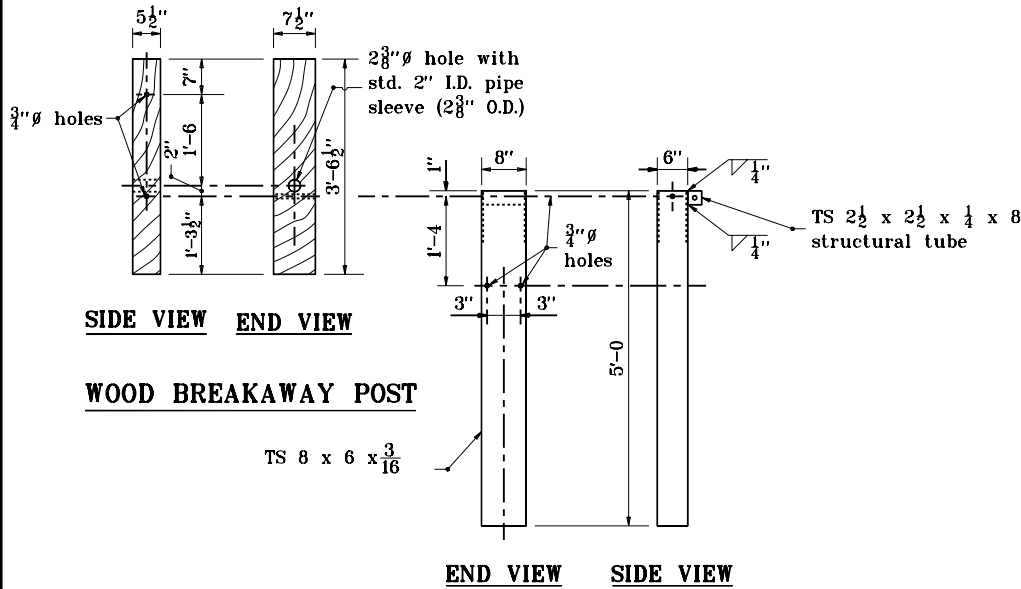
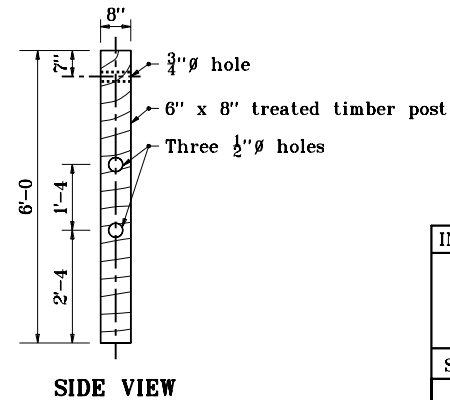


GENERAL NOTES

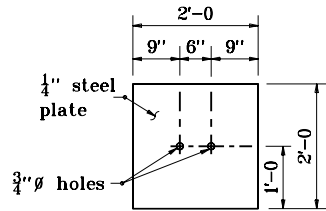
1. This sheet shall be used in conjunction with Standard Drawings E 601-CWGS-01 through -04 when a curved W-beam guardrail system is specified.
2. The TS 2½ x 2½ structural tube shall only be welded to post B.



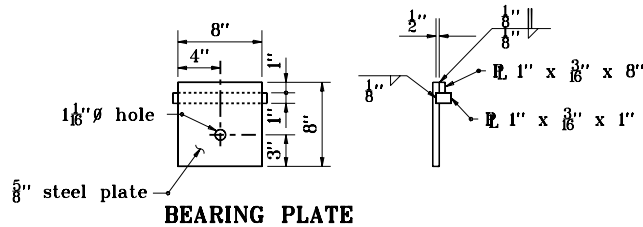
END VIEW **SIDE VIEW**



CRT POST



SOIL PLATE



INDIANA DEPARTMENT OF TRANSPORTATION	
CURVED W-BEAM GUARDRAIL SYSTEM	
APRIL 1995	
STANDARD DRAWING NO. E 601-CWGS-06	
	DETAILS PLACED IN THIS FORMAT 11-15-99
	/s/ Anthony L. Uremovich 11-15-99 DESIGN STANDARDS ENGINEER DATE
	/s/ Firooz Zandi 11-15-99 CHIEF HIGHWAY ENGINEER DATE
DESIGN STANDARDS ENGINEER	ORIGINALLY APPROVED 4-03-95