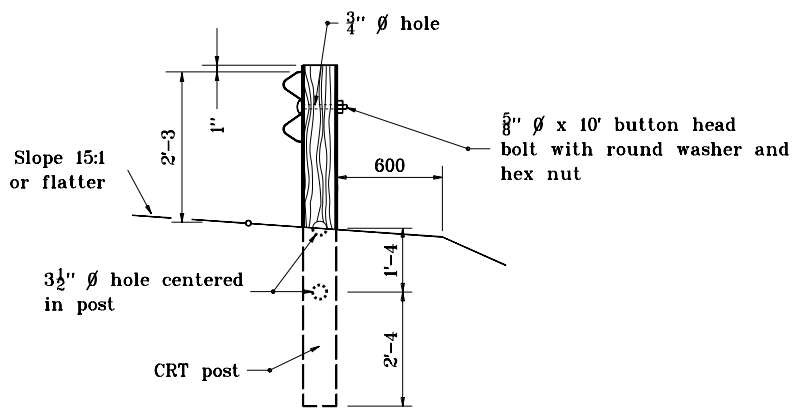
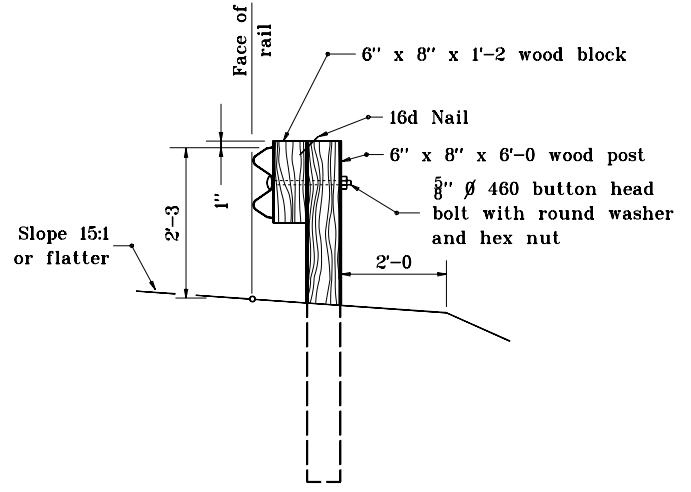


RADIUS	NO. OF CRT POSTS	REQUIRED AREA FREE OF FIXED OBJECTS
		L x W
8'-6"	5	25' x 15'
17'	6	30' x 15'
25'-6"	8	40' x 20'
35'	11	50' x 20'

See Standard Drawing E 601-CWGS-03 for General Notes.



INDIANA DEPARTMENT OF TRANSPORTATION
CURVED W-BEAM GUARDRAIL SYSTEM
 JANUARY 2000
 STANDARD DRAWING NO. E 601-CWGS-02

ANTHONY L. UREMOVICH
REGISTERED
No. 18095
STATE OF INDIANA
PROFESSIONAL ENGINEER

/s/ Anthony L. Uremovich 1-03-00
DESIGN STANDARDS ENGINEER DATE

/s/ Firooz Zandi 1-03-00
CHIEF HIGHWAY ENGINEER DATE

DESIGN STANDARDS ENGINEER