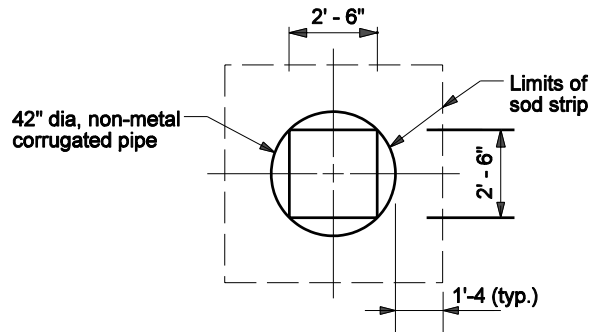
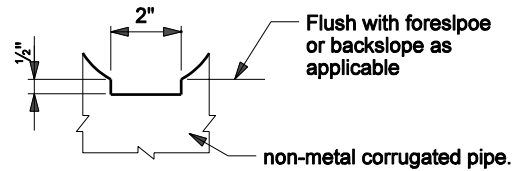


PLAN, ROUND FOUNDATION



PLAN, SQUARE FOUNDATION



DRAINAGE NOTCH

Notes:

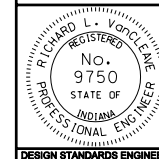
1. Drainage notch shall follow the slope of the ground.

INDIANA DEPARTMENT OF TRANSPORTATION

**LIGHT STANDARD FOUNDATION
GRADING DETAILS**

SEPTEMBER 2005

STANDARD DRAWING NO. E 807-LTFD-04A



/s/ Richard L. VanCleave 9-01-05
DESIGN STANDARDS ENGINEER DATE

/s/ Richard K. Smutzer 9-01-05
CHIEF HIGHWAY ENGINEER DATE

DESIGN STANDARDS ENGINEER