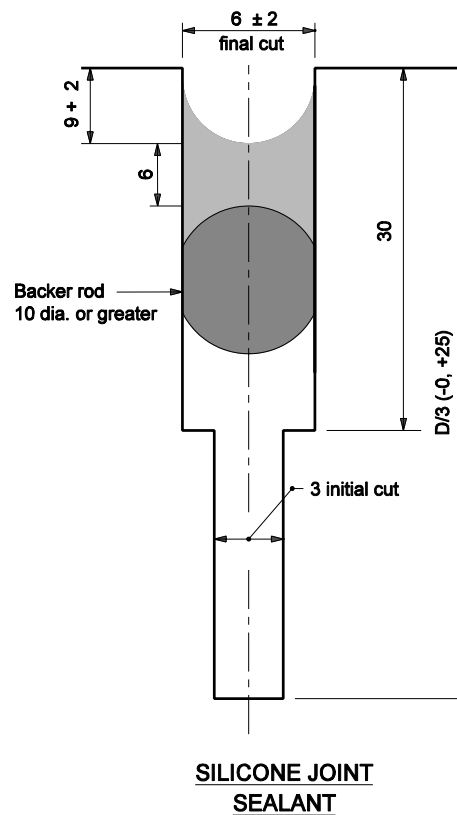
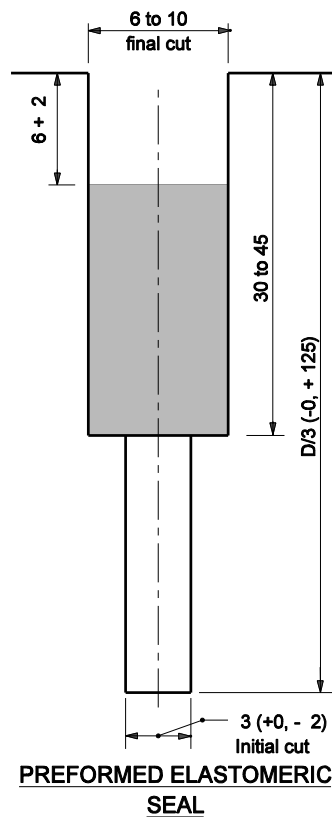


NOTES

1. Transverse joints shall be constructed perpendicular to the centerline with a maximum spacing of 5500 unless otherwise specified.
2. The configuration of the preformed elastomeric joint seal shall be a 14 to 16 wide seal with at least a five cell internal design. The seal height shall be 14 to 21 in uncompressed stage.
3. For transverse construction joints, the initial saw cut may be eliminated.



TYPE D-1 SAWED CONTRACTION JOINT SEALANT OPTIONS

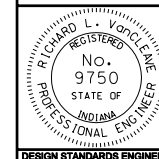
All Dimension are in mm unless otherwise specified

INDIANA DEPARTMENT OF TRANSPORTATION

TRANSVERSE JOINT SEALS

MARCH 2005

STANDARD DRAWING NO. 503-CCPJ-06



/s/ Richard L. VanCleave 3-01-05
DESIGN STANDARDS ENGINEER DATE

/s/ Richard K. Smutzer 3-01-05
CHIEF HIGHWAY ENGINEER DATE

DESIGN STANDARDS ENGINEER