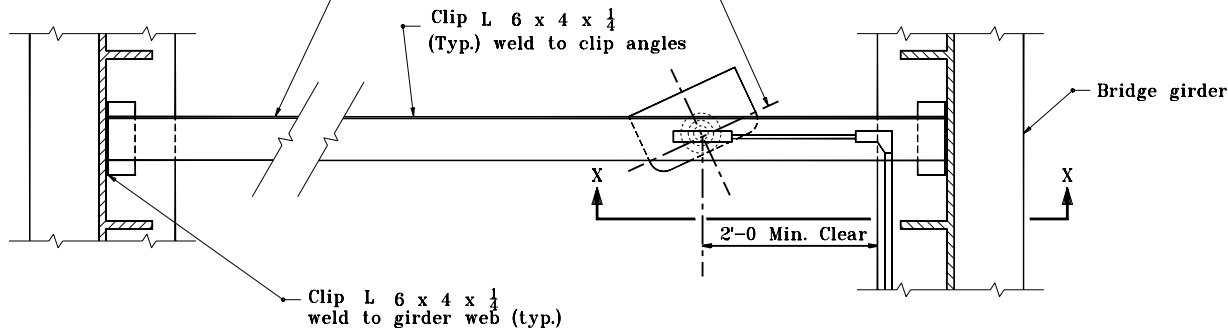


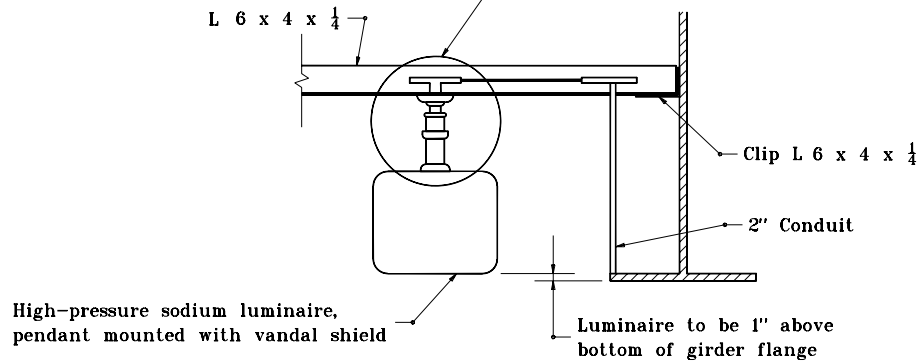
Skew angle where necessary to clear web stiffeners and cross frames

Locate lateral  $\phi$  of luminaire over edge of roadway as noted on plans



**PLAN VIEW**

Refer to underpass luminaire pendant hanger detail



**SECTION X-X**

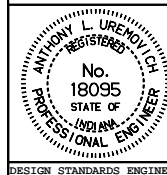
INDIANA DEPARTMENT OF TRANSPORTATION

**UNDERPASS LIGHTING DETAILS**

**PENDANT MOUNTING**

JANUARY 2000

STANDARD DRAWING NO. **E 807-LTUP-02**



/s/ Anthony L. Uremovich 1-03-00  
DESIGN STANDARDS ENGINEER DATE

/s/ Firooz Zandi 1-03-00  
CHIEF HIGHWAY ENGINEER DATE

DESIGN STANDARDS ENGINEER