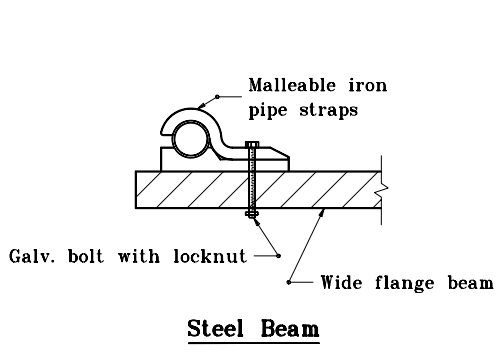


GENERAL NOTES

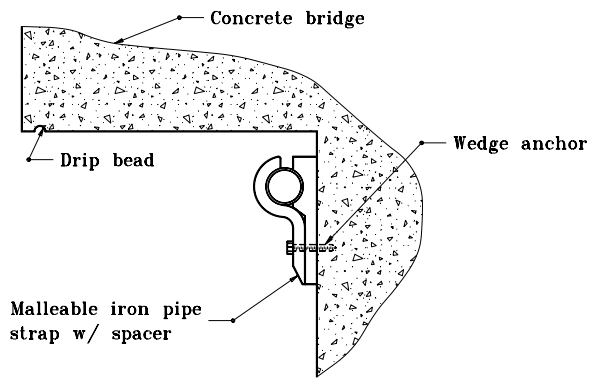
① If feasible, conduit to be installed on coping of bent; if not, install as shown on end of bridge not facing traffic.

2" conduit - Terminates 2 ft below grade without elbow & with grounding bushing ①

ELEVATION



DETAIL A



Concrete Beam

INDIANA DEPARTMENT OF TRANSPORTATION	
UNDERPASS LIGHTING DETAILS	
MARCH 1995	
STANDARD DRAWING NO. E 807-LTUP-01	
DETAILS PLACED IN THIS FORMAT	7-27-99
	/s/ Anthony L. Uremovich 7-27-99 DESIGN STANDARDS ENGINEER DATE
	/s/ Firooz Zandi 7-27-99 CHIEF HIGHWAY ENGINEER DATE
DESIGN STANDARDS ENGINEER	ORIGINALLY APPROVED 3-01-95