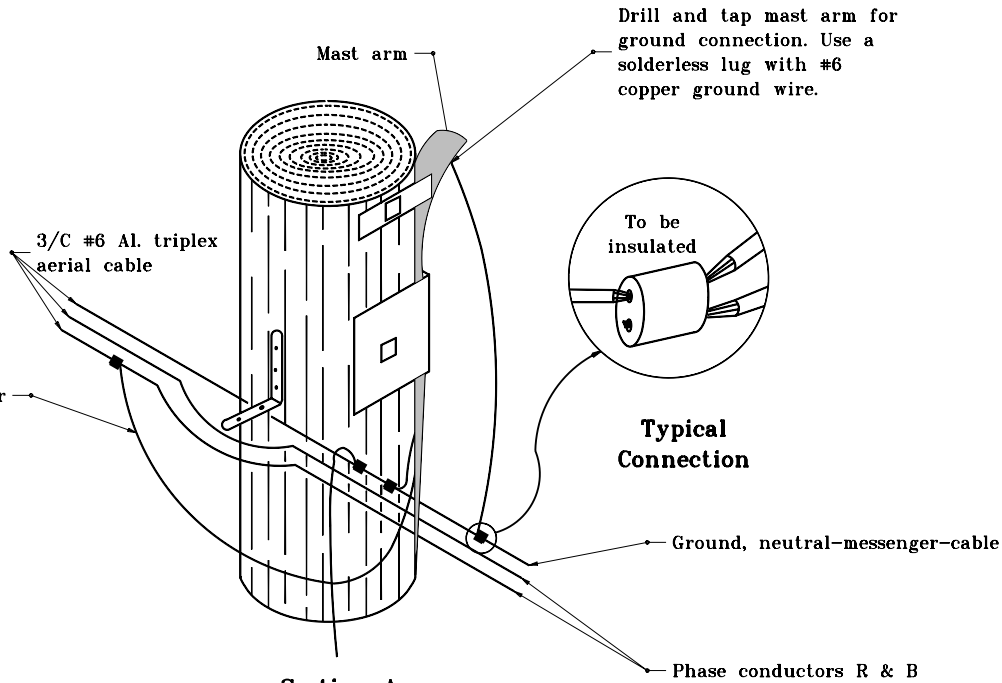
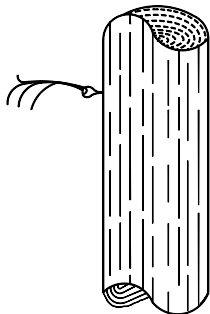


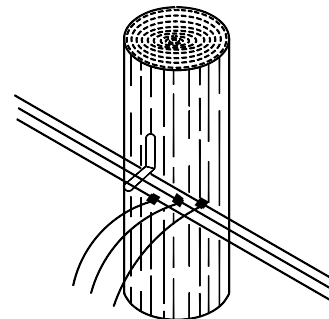
**Conduit Riser**



**Section A  
Typical Aerial Luminaire  
Connection with Ground**



**Aerial Cable  
Termination**



**Typical Circuit  
Connection to  
Aerial Cable**

INDIANA DEPARTMENT OF TRANSPORTATION	
<b>TEMPORARY HIGHWAY ILLUMINATION DETAILS</b>	
JANUARY 2000	
STANDARD DRAWING NO. <b>E 807-LTHI-07</b>	
	<i>/s/ Anthony L. Uremovich</i> 1-03-00 <small>DESIGN STANDARDS ENGINEER DATE</small>
	<i>/s/ Firooz Zandi</i> 1-03-00 <small>CHIEF HIGHWAY ENGINEER DATE</small>
<small>DESIGN STANDARDS ENGINEER</small>	