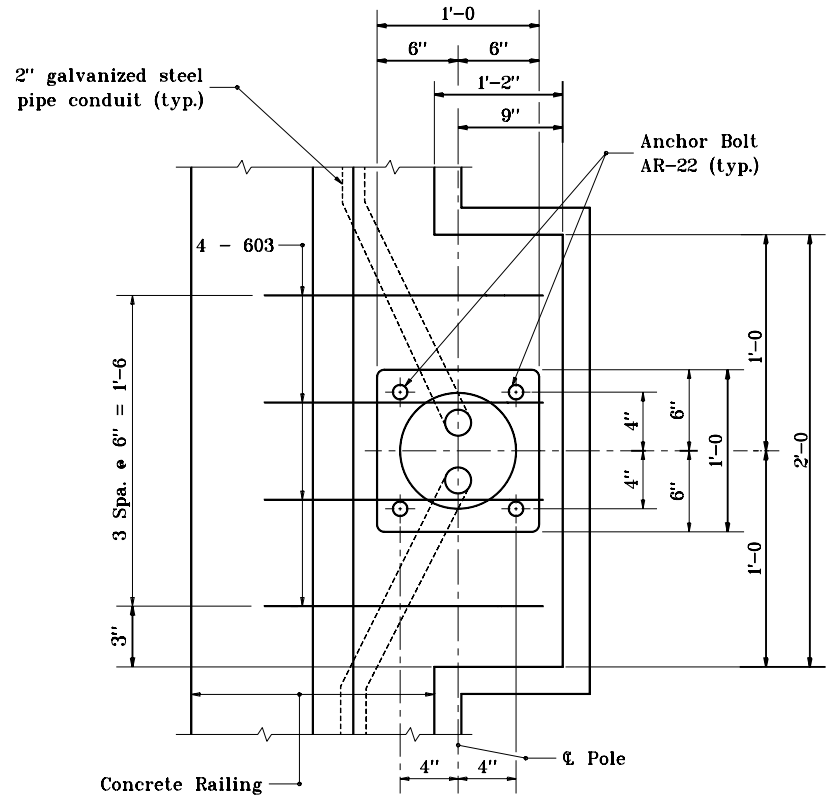
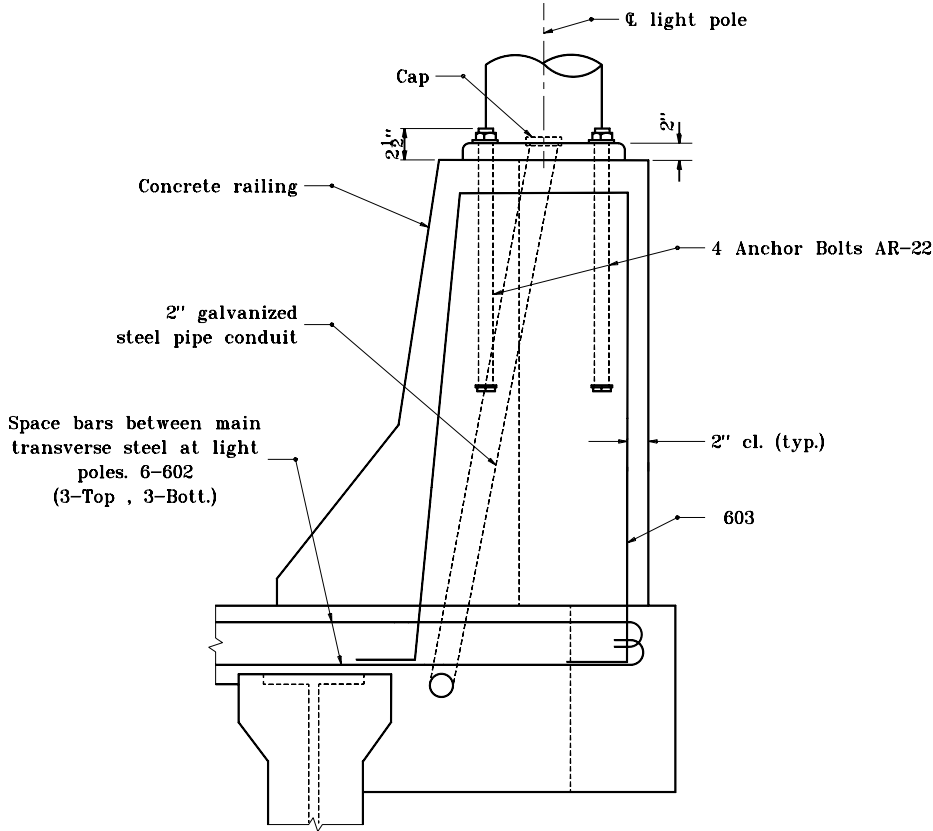


**GENERAL NOTES**

1. See Standard Drawing E 807-BLIT-03 for bending diagrams.



The bolt circle diameter is approximately 11½".

INDIANA DEPARTMENT OF TRANSPORTATION	
<b>BRIDGE LIGHTING DETAILS</b>	
SEPTEMBER 1997	
<b>STANDARD DRAWING NO. E 807-BLIT-01</b>	
	DETAILS PLACED IN THIS FORMAT 11-15-99 /s/ Anthony L. Uremovich 11-15-99 DESIGN STANDARDS ENGINEER DATE
DESIGN STANDARDS ENGINEER	/s/ Firooz Zandi 11-15-99 CHIEF HIGHWAY ENGINEER DATE ORIGINALLY APPROVED 9-01-97