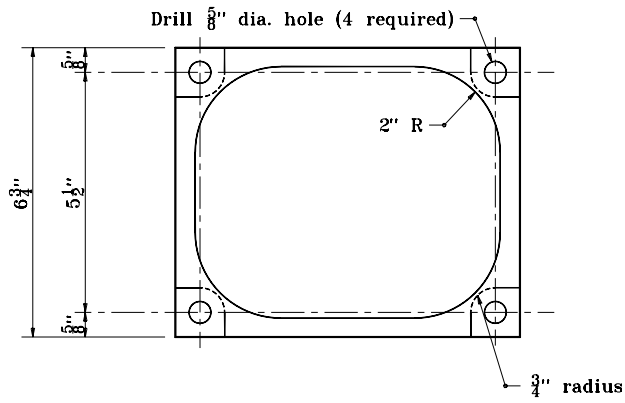
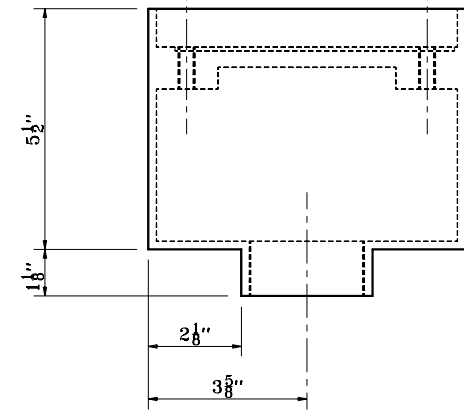
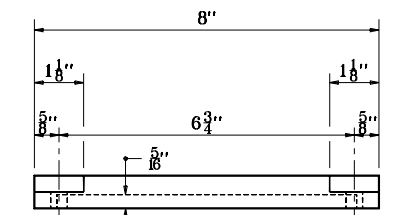
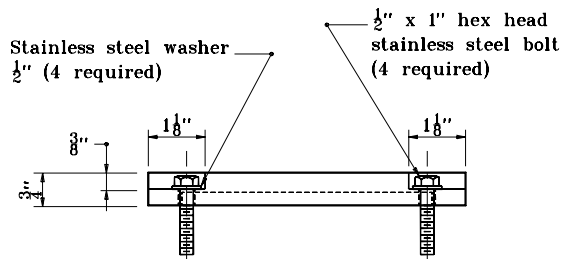


**SECTION A-A**



INDIANA DEPARTMENT OF TRANSPORTATION	
<b>DETAIL OF DETECTOR HOUSING</b>	
MAY 1998	
<b>STANDARD DRAWING NO. E 805-SGDH-02</b>	
DETAILS PLACED IN THIS FORMAT 11-15-99	
	/s/ Anthony L. Uremovich 11-15-99 DESIGN STANDARDS ENGINEER DATE
	/s/ Firooz Zandi 11-15-99 CHIEF HIGHWAY ENGINEER DATE
	ORIGINALLY APPROVED 5-01-98