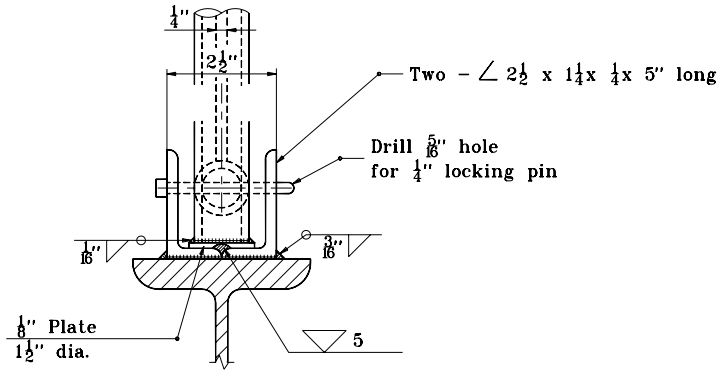


SIDE ELEVATION



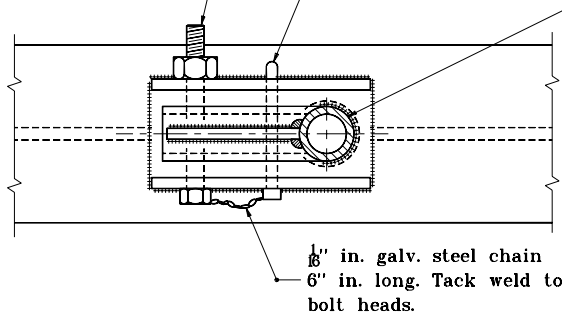
FRONT ELEVATION

Field drill $\frac{7}{16}$ in. holes for $\frac{3}{8}$ in x 1 in. stnl. stl. hexagon bolts with $\frac{3}{8}$ in. flat washer, $\frac{3}{8}$ in. lock washer and $\frac{3}{8}$ in. hexagon nut

Drill and ream for $\frac{3}{8}$ in. stnl.stl. hexagon bolt with $\frac{3}{8}$ in. flat washer and $\frac{3}{8}$ in. hexagon locknut

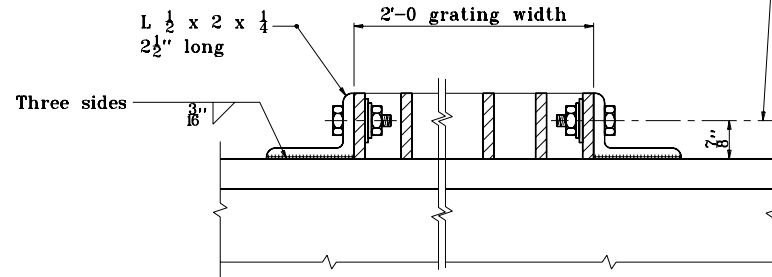
Locking pin made from $\frac{1}{4}$ in. stnl. stl. bolt (rounded end)

$\frac{1}{4}$ in. Sch. 40 aluminum pipe



PLAN

DETAILS OF HANDRAIL HINGE



GRATING TIE DOWN
(Two req'd per walkway bracket)

INDIANA DEPARTMENT OF TRANSPORTATION	
SIGN WALKWAY HANDRAIL DETAILS	
SEPTEMBER 2001	
STANDARD DRAWING NO.E 802-SNWW-05	
	/s/ Anthony L. Uremovich 9-04-01 DESIGN STANDARDS ENGINEER DATE
	/s/ Firooz Zandi 9-04-01 CHIEF HIGHWAY ENGINEER DATE
DESIGN STANDARDS ENGINEER	