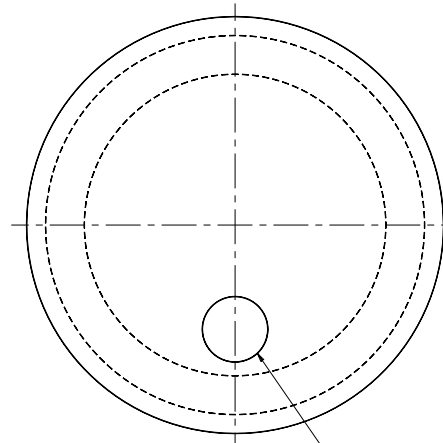
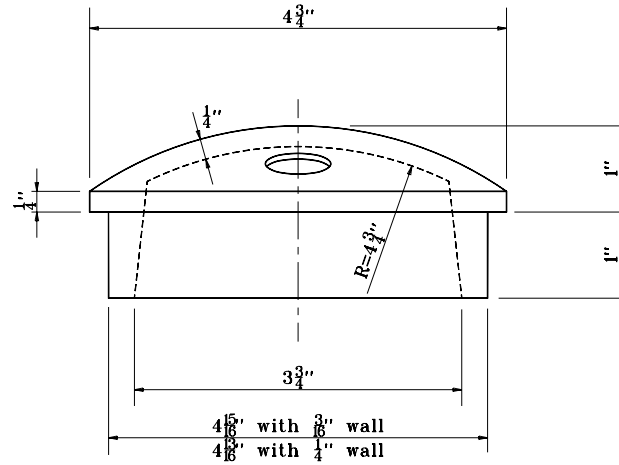


GENERAL NOTES

1. Sand-cast aluminum alloy.



Drill 3/4" hole when req'd.

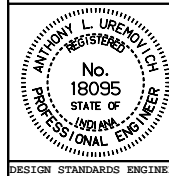
END CAP FOR 4 ³/₄ IN. O.D. TUBE

INDIANA DEPARTMENT OF TRANSPORTATION

END CAP

SEPTEMBER 2001

STANDARD DRAWING NO. **E 802-SNOH-12**



/s/ Anthony L. Uremovich 9-04-01
DESIGN STANDARDS ENGINEER DATE

/s/ Firoos Zandi 9-04-01
CHIEF HIGHWAY ENGINEER DATE

DESIGN STANDARDS ENGINEER