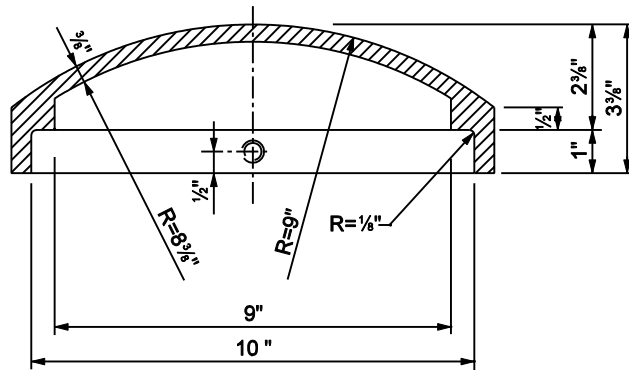
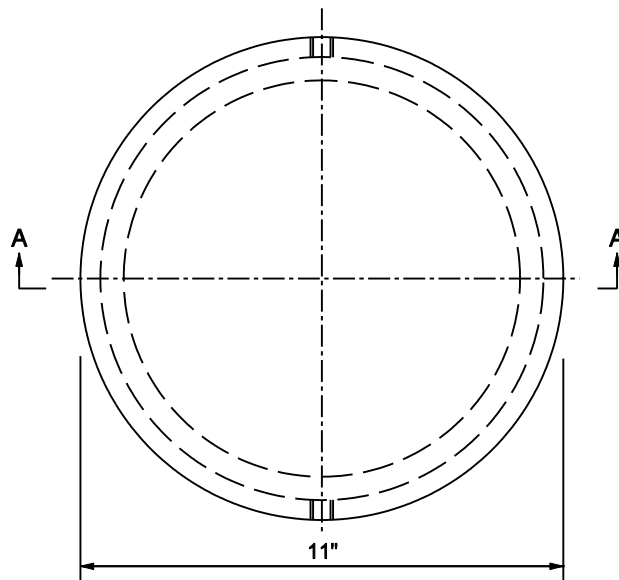


GENERAL NOTES

1. Drill and tap two holes 180° apart for 1/2 in. stainless steel set screws.
2. Sand-cast aluminum alloy.



SECTION A-A



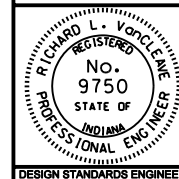
10 IN. O.D. POLE TOP CASTING

INDIANA DEPARTMENT OF TRANSPORTATION

**ALUMINUM STRUCTURE
POLE TOP CASTING**

MARCH 2003

STANDARD DRAWING NO. E 802-SNOH-08



/s/ Richard L. VanCleave 3-03-03
DESIGN STANDARDS ENGINEER DATE

/s/ Richard K. Smutzer 3-03-03
CHIEF HIGHWAY ENGINEER DATE

DESIGN STANDARDS ENGINEER