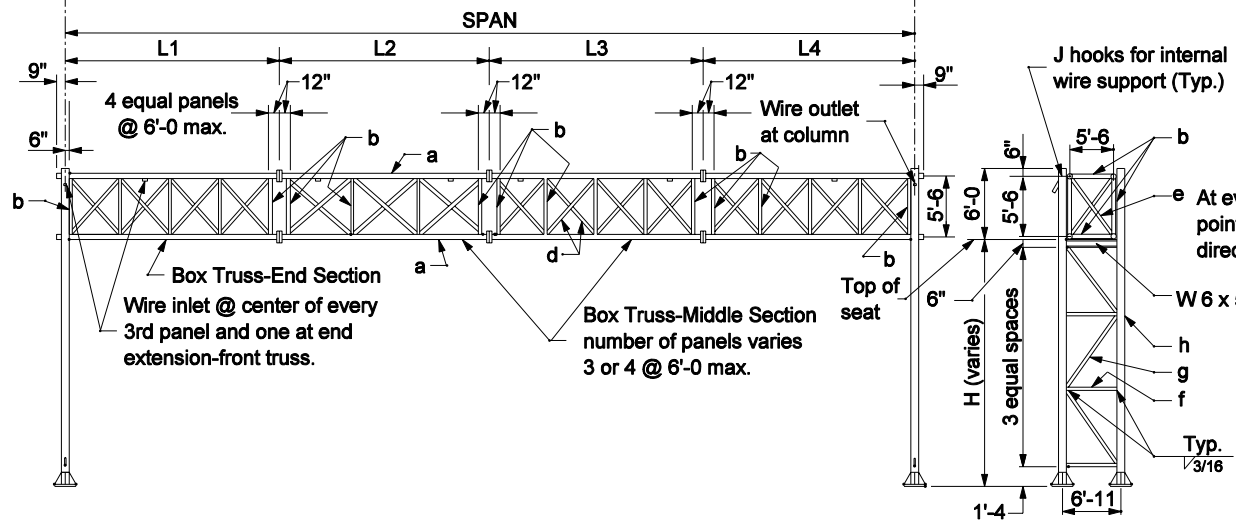


**PLAN**



**ELEVATION  
Facing Traffic**

**END ELEV.**

**NOTES**

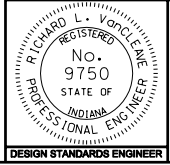
1. See Standard Drawing E 802-SNOH-04 for dimensions not shown
2. Max. deviation of any chord from a straight line in any section shall be 1/8 in. Box truss to be max. of 3/8 in. out of a straight line over the entire length of the structure in the vertical plane.
3. End internal diagonal (e) shall connect to the chord where the top horizontal diagonal connects to this chord as shown in plans and end elevation.

INDIANA DEPARTMENT OF TRANSPORTATION

**SIGN STRUCTURE TRUSS  
ALUM. DETAILS**

SEPTEMBER 2004

STANDARD DRAWING NO. E 802-SNOH-01



/s/ Richard L. VanCleave 9-01-04  
DESIGN STANDARDS ENGINEER DATE

/s/ Richard K. Smutzer 9-01-04  
CHIEF HIGHWAY ENGINEER DATE

DESIGN STANDARDS ENGINEER