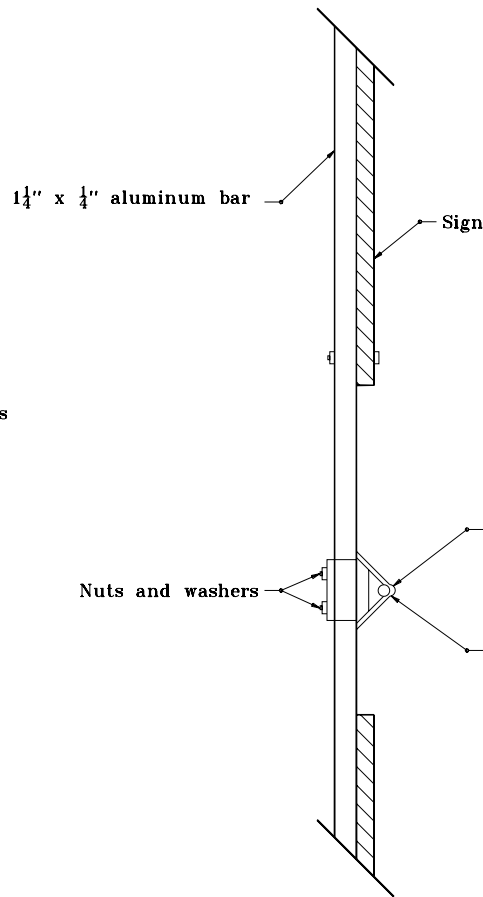
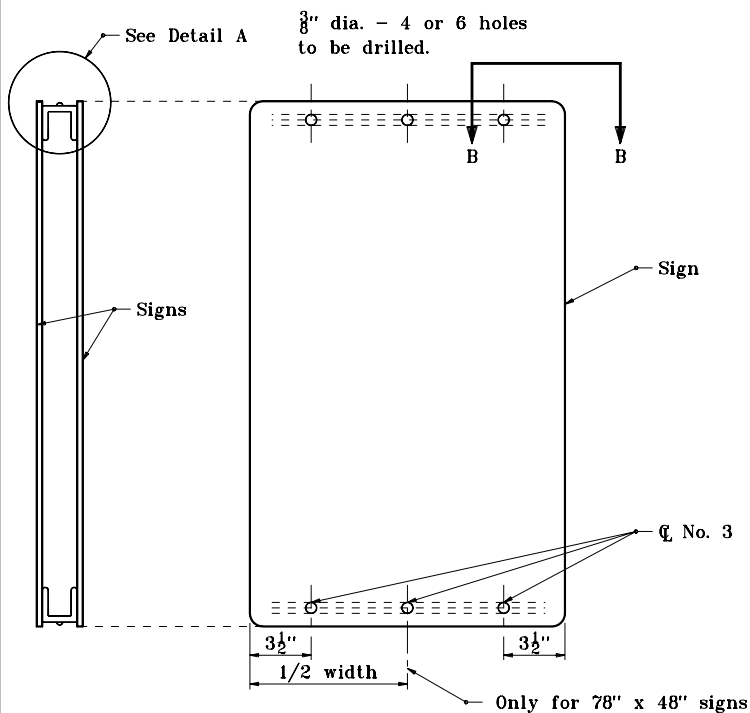
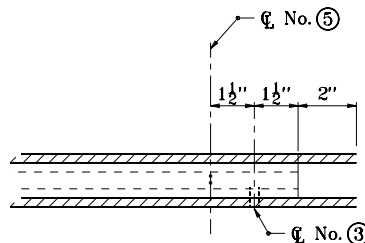


DETAIL A



DETAIL B



B-B TOP VIEW

PART No.	MATERIAL DESCRIPTION
①	5/8" nylon washer
②	3 x 4.1 steel channel
③	5/8 x 4" bolt
④	5/8" nylon washer
⑤	1/4" x 2 3/4" U bolt
⑥	1/4" lock washer
⑦	1/4" hex nut
⑧	5/8" lock nut

INDIANA DEPARTMENT OF TRANSPORTATION	
CABLE SPAN SIGN	
STRUCTURE DETAILS	
SEPTEMBER 2001	
STANDARD DRAWING NO. E 802-SNCS-03	
	/s/ Anthony L. Uremovich 9-04-01 DESIGN STANDARDS ENGINEER DATE
	/s/ Firooz Zandi 9-04-01 CHIEF HIGHWAY ENGINEER DATE
DESIGN STANDARDS ENGINEER	