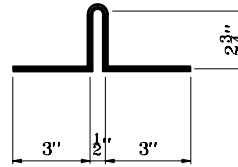
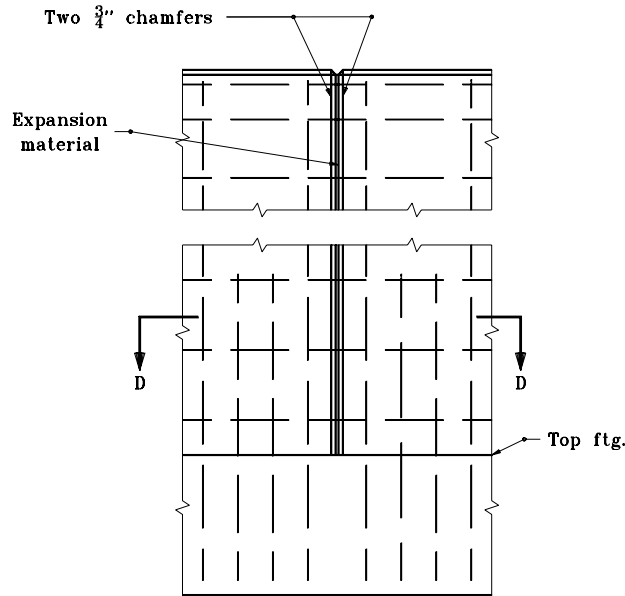


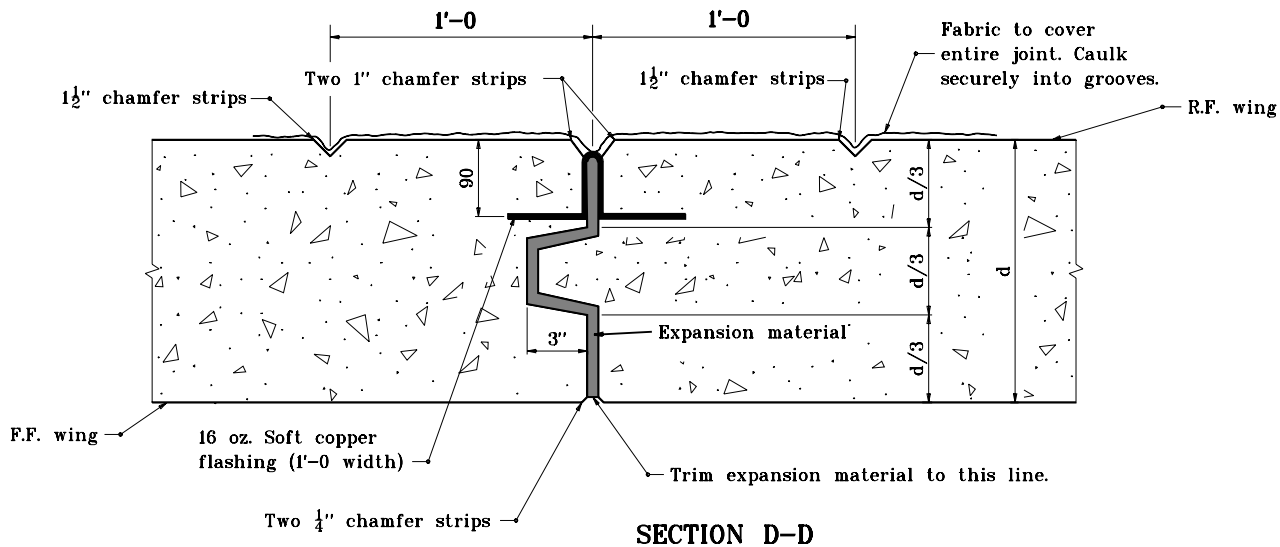
GENERAL NOTES

- Expansion material in joints is preformed joint filler. Copper flashing is to be lapped 2 in. and soldered, subject to approval.



**BENDING DIAGRAM FOR
COPPER FLASHING**

FRONT FACE



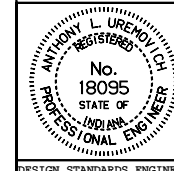
SECTION D-D

INDIANA DEPARTMENT OF TRANSPORTATION

**EXPANSION JOINT
TYPICAL DETAILS**

SEPTEMBER 1994

STANDARD DRAWING NO. **E 724-BJTS-03**



DETAILS PLACED IN THIS FORMAT 11-15-99

/s/ Anthony L. Uremovich 11-15-99
DESIGN STANDARDS ENGINEER DATE

/s/ Firooz Zandi 11-15-99
CHIEF HIGHWAY ENGINEER DATE

DESIGN STANDARDS ENGINEER

ORIGINALLY APPROVED 9/30/94