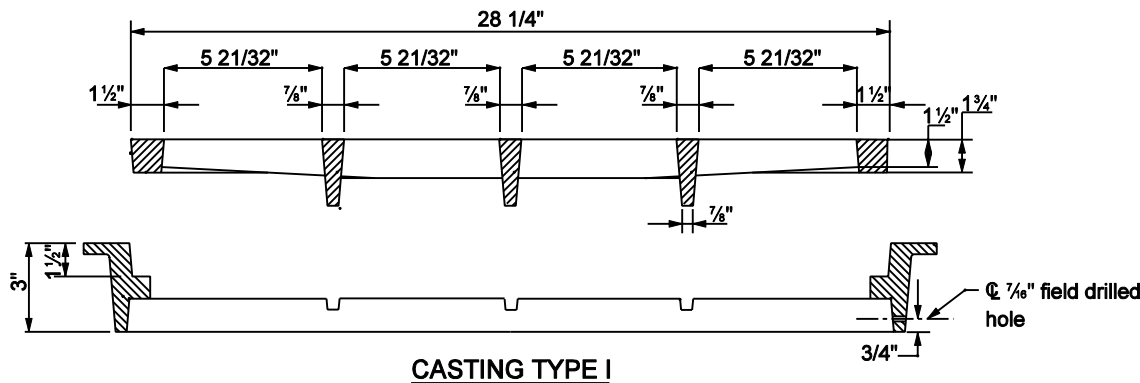
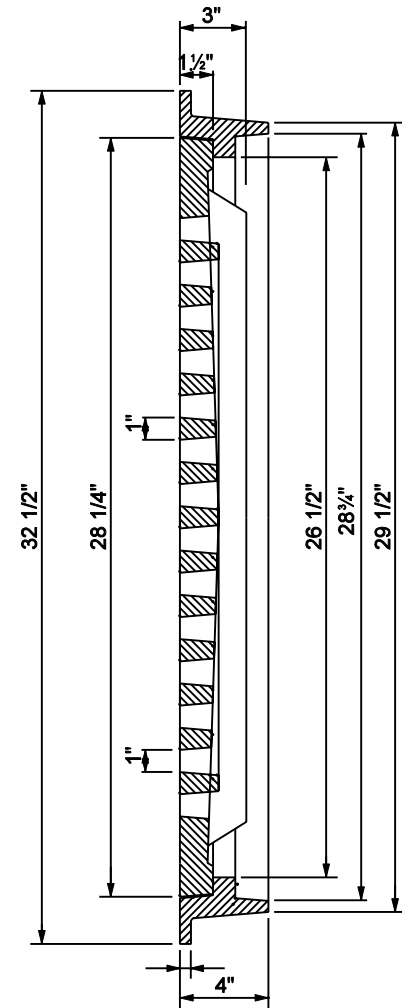
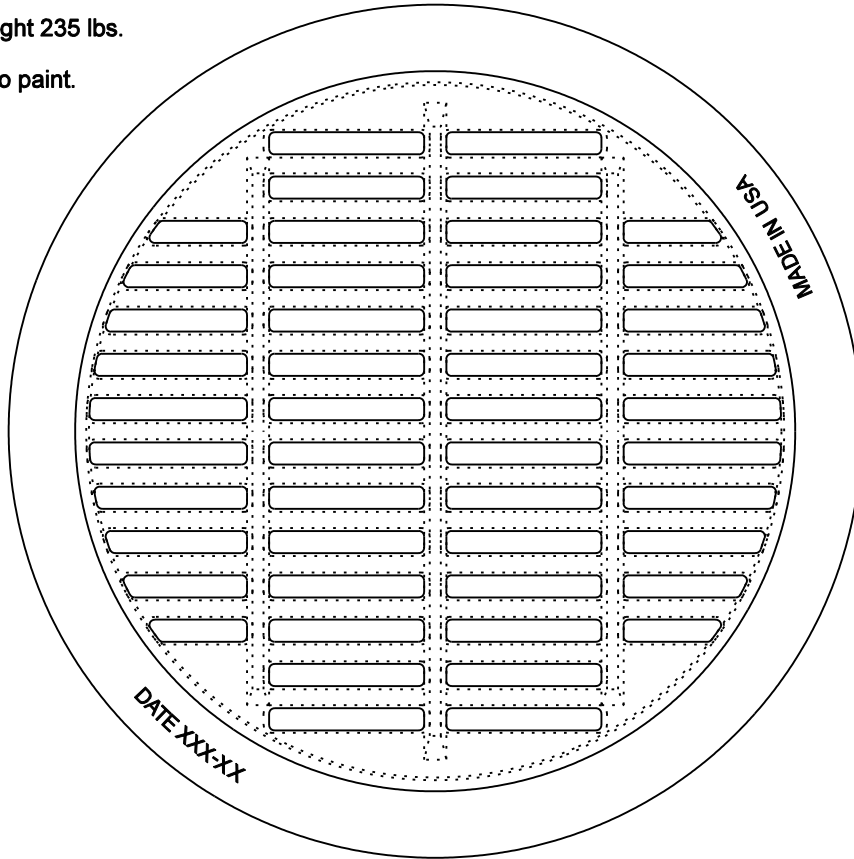


**GENERAL NOTES**

1. Casting total weight 235 lbs.
2. Casting finish: no paint.



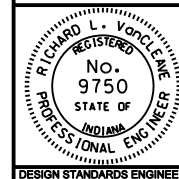
**CASTING TYPE I**

INDIANA DEPARTMENT OF TRANSPORTATION

**CASTING TYPE I  
FRAME AND GRATE**

MARCH 2003

STANDARD DRAWING NO. E 720-SDCP-02



/s/ Richard L. VanCleave 3-03-03  
DESIGN STANDARDS ENGINEER DATE

/s/ Richard K. Smutzer 3-03-03  
CHIEF HIGHWAY ENGINEER DATE

DESIGN STANDARDS ENGINEER