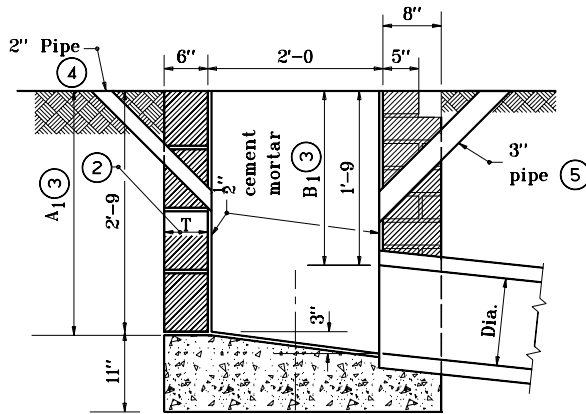
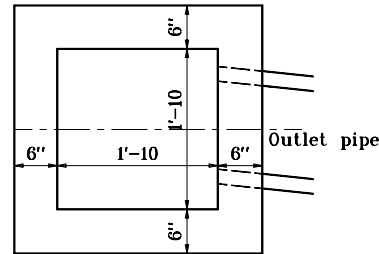
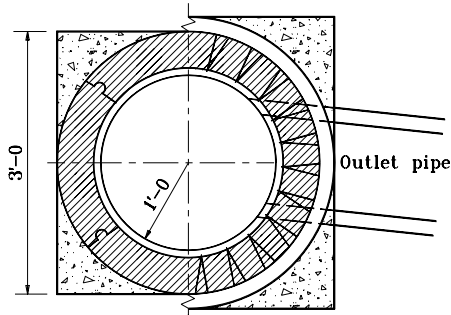
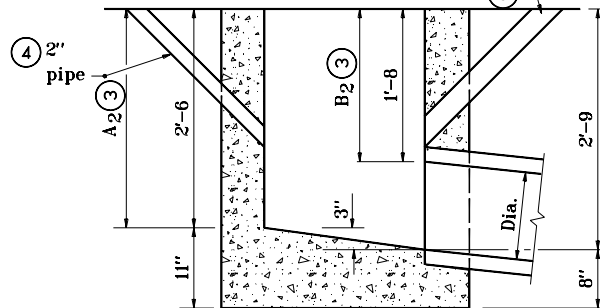


**GENERAL NOTES**

1. Brick, block, or concrete may be used.
- ② T = 8" for brick structure  
T = 6" for segmental block structure
- ③ In special cases or where inlet pipe is required, A<sub>1</sub>, B<sub>1</sub>, A<sub>2</sub>, and B<sub>2</sub> shall be increased or decreased 1'-0", as directed.
- ④ 2" pipe drain from bottom of curb to inlet. Aggregate to be placed around inlet end of pipe.
- ⑤ 3" dia. pipe to be kept open for drainage of subgrade or base until surface is placed.



**BRICK OR BLOCK**



**CONCRETE**

INDIANA DEPARTMENT OF TRANSPORTATION

**INLET TYPE A**

APRIL 1995

STANDARD DRAWING NO. E 720-INST-01

	DETAILS PLACED IN THIS FORMAT 11-15-99
	/s/ Anthony L. Uremovich 11-15-99 DESIGN STANDARDS ENGINEER DATE
	/s/ Firooz Zandi 11-15-99 CHIEF HIGHWAY ENGINEER DATE
DESIGN STANDARDS ENGINEER	ORIGINALLY APPROVED 4-03-95