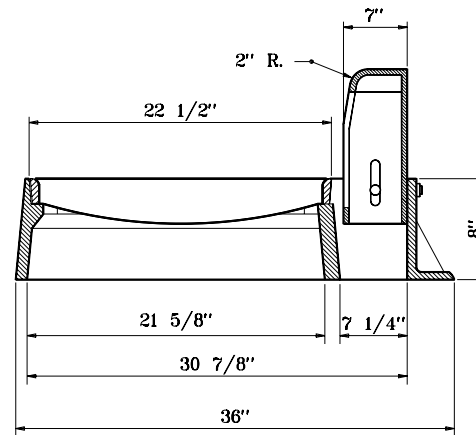
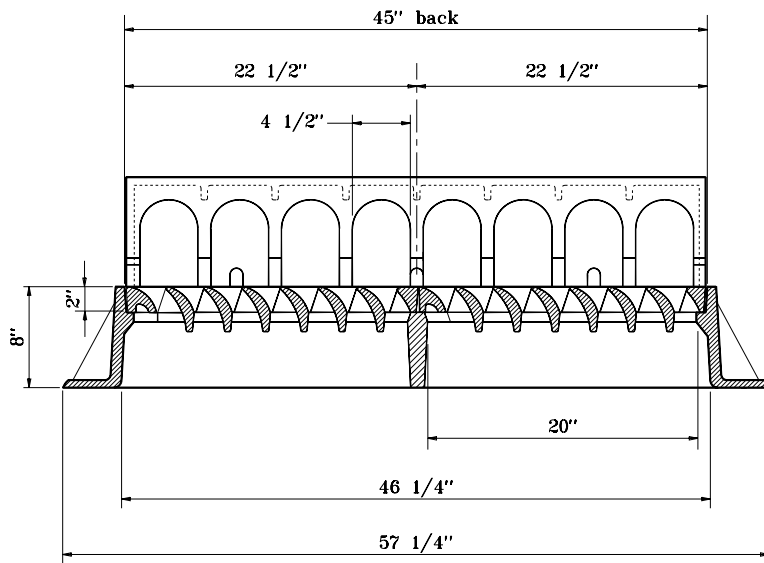


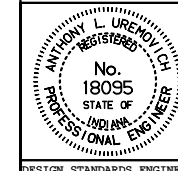
GENERAL NOTES

1. Curb adjustment $5\frac{1}{2}''$ to $9\frac{1}{2}''$.



INDIANA DEPARTMENT OF TRANSPORTATION
CASTING TYPE 15 (ALTERNATE)
FRAME, GRATE, AND CURB BOX
 SEPTEMBER 1998

STANDARD DRAWING NO. **E 720-ICCA-19**



DETAILS PLACED IN THIS FORMAT 11-15-99

/s/ Anthony L. Uremovich 11-15-99
 DESIGN STANDARDS ENGINEER DATE

/s/ Firooz Zandi 11-15-99
 CHIEF HIGHWAY ENGINEER DATE

DESIGN STANDARDS ENGINEER

ORIGINALLY APPROVED 9-01-98