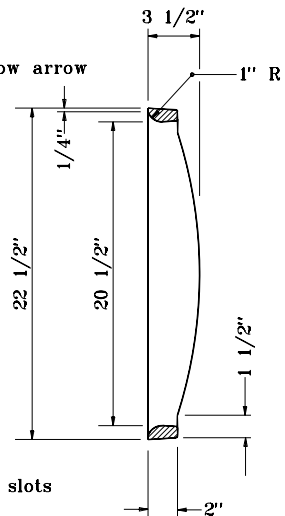
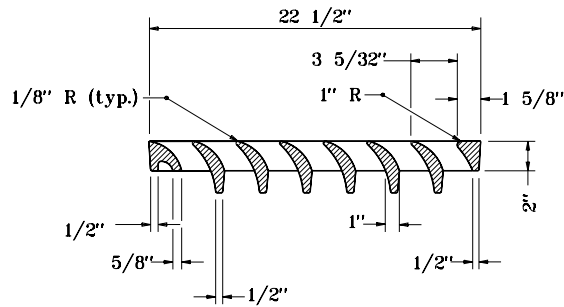


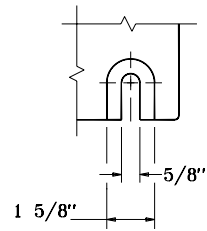
**PLAN**



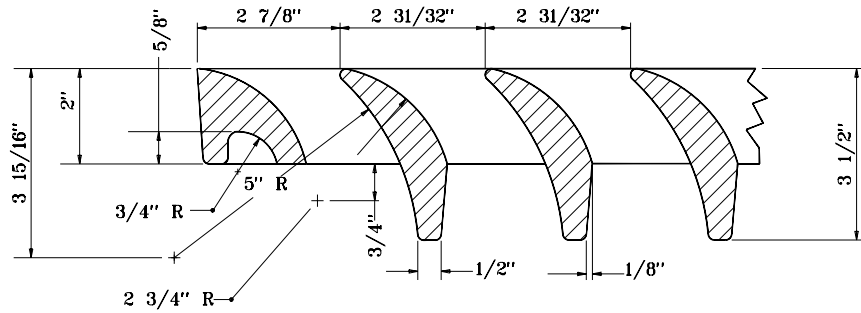
**SECTION B-B**



**SECTION A-A**



**BOLT SLOT DETAIL**



INDIANA DEPARTMENT OF TRANSPORTATION	
CASTING TYPE 15	
GRATE	
SEPTEMBER 1998	
STANDARD DRAWING NO. E 720-ICCA-17	
	DETAILS PLACED IN THIS FORMAT 11-15-99 /s/ Anthony L. Uremovich 11-15-99 DESIGN STANDARDS ENGINEER DATE
	/s/ Firooz Zandi 11-15-99 CHIEF HIGHWAY ENGINEER DATE
	ORIGINALLY APPROVED 9-01-98