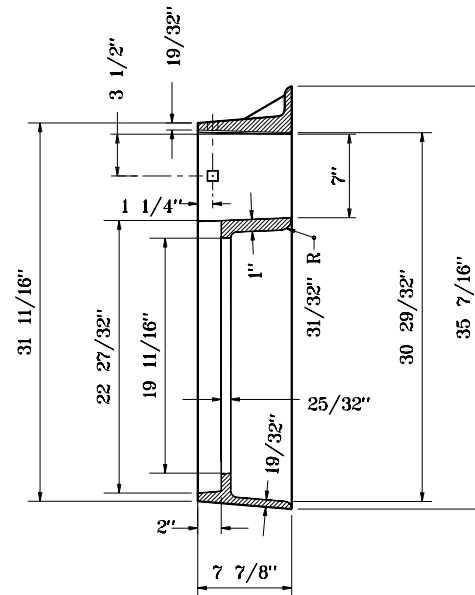
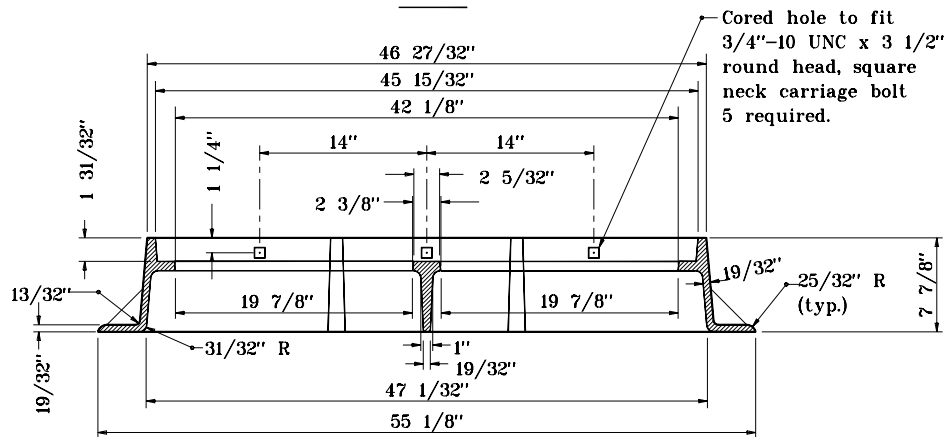


**PLAN**

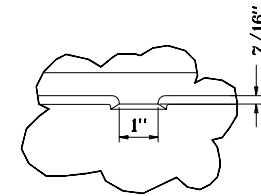


**SECTION B-B**



**SECTION A-A**

**FRAME  
CASTING TYPE 15**



**DETAIL A**

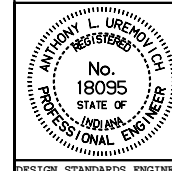
INDIANA DEPARTMENT OF TRANSPORTATION

**CASTING TYPE 15**

**FRAME**

SEPTEMBER 1998

STANDARD DRAWING NO. E 720-ICCA-16



DETAILS PLACED IN THIS FORMAT 11-15-99

/s/ Anthony L. Uremovich 11-15-99  
DESIGN STANDARDS ENGINEER DATE

/s/ Firooz Zandi 11-15-99  
CHIEF HIGHWAY ENGINEER DATE

DESIGN STANDARDS ENGINEER

ORIGINALLY APPROVED 9-01-98