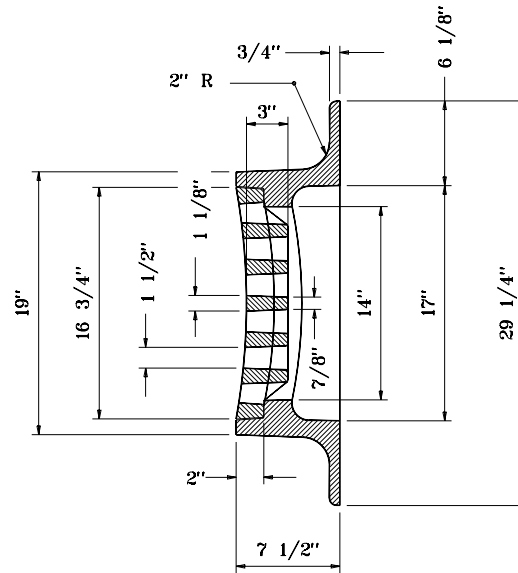
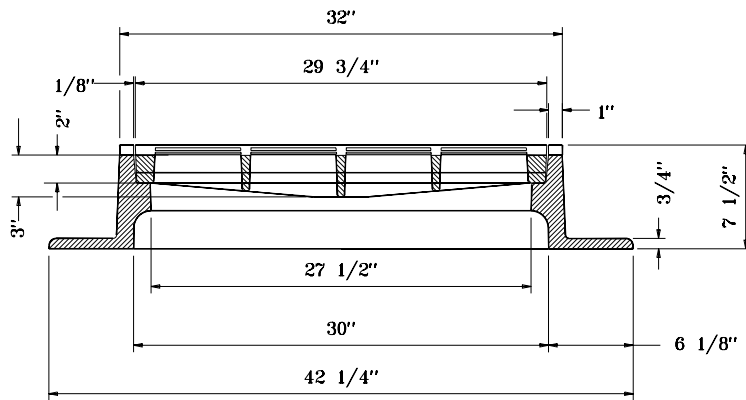


PLAN



SECTION B-B

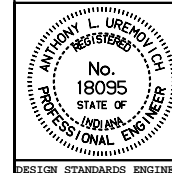


SECTION A-A

**FRAME AND GRATE
CASTING TYPE 13**

INDIANA DEPARTMENT OF TRANSPORTATION
CASTING TYPE 13
FRAME & GRATE
 SEPTEMBER 1998

STANDARD DRAWING NO. **E 720-ICCA-13**



DETAILS PLACED IN THIS FORMAT 11-15-99
 /s/ Anthony L. Uremovich 11-15-99
 DESIGN STANDARDS ENGINEER DATE

/s/ Firooz Zandi 11-15-99
 CHIEF HIGHWAY ENGINEER DATE
 ORIGINALLY APPROVED 9-01-98

DESIGN STANDARDS ENGINEER