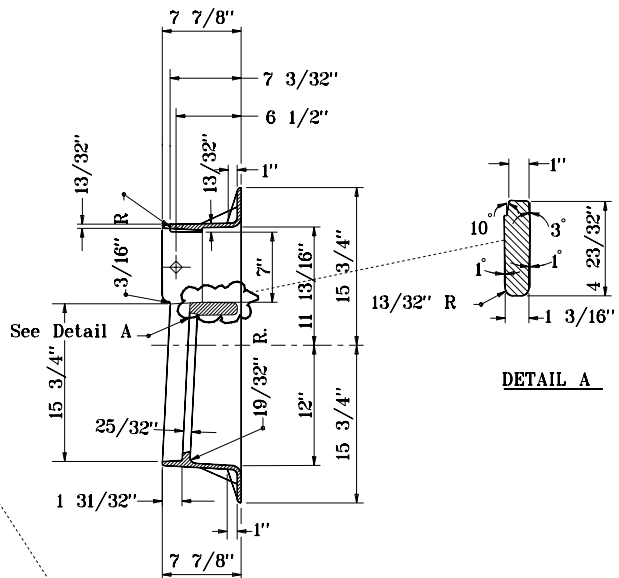
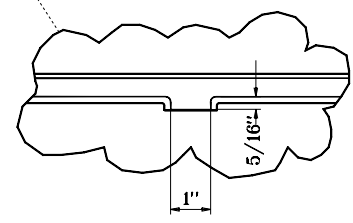


PLAN

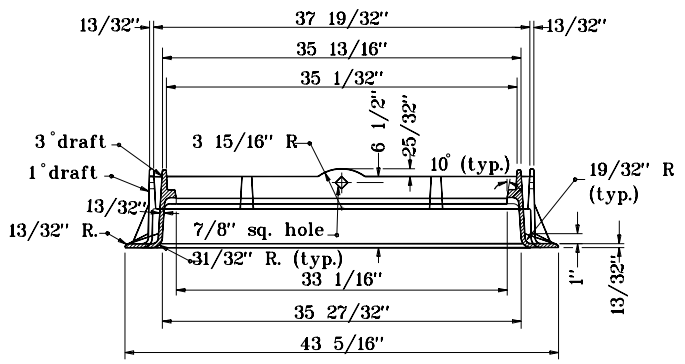


SECTION B-B

DETAIL A



DETAIL B



SECTION A-A

**FRAME
CASTING TYPE 10**

INDIANA DEPARTMENT OF TRANSPORTATION	
CASTINGS TYPE 10	
FRAME	
SEPTEMBER 1998	
STANDARD DRAWING NO. E 720-ICCA-08	
	DETAILS PLACED IN THIS FORMAT 11-15-99 /s/ Anthony L. Uremovich 11-15-99 <small>DESIGN STANDARDS ENGINEER DATE</small>
	/s/ Firooz Zandi 11-15-99 <small>CHIEF HIGHWAY ENGINEER DATE</small>
	<small>DESIGN STANDARDS ENGINEER</small> <small>ORIGINALLY APPROVED</small> <small>9-01-98</small>