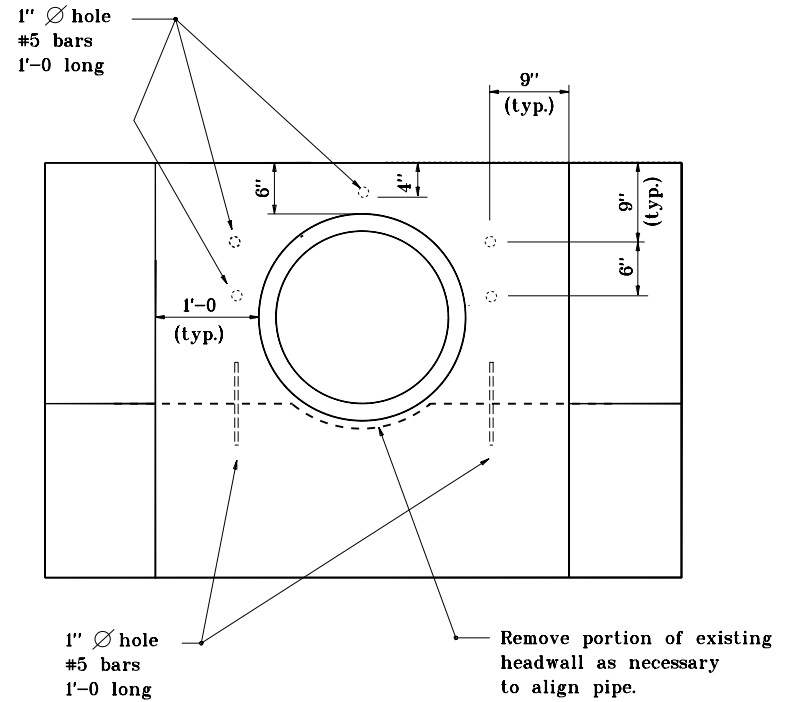



**SIDE VIEW**



**END VIEW**

**NOTES:**

1. For other types of pipe end structures and pipes larger than 33"  $\varnothing$ , collar details are shown on the plans.
- ② Remove portions of existing headwall if required to maintain 4" ground cover.

INDIANA DEPARTMENT OF TRANSPORTATION	
<b>CONCRETE COLLAR FOR PIPE EXTENSION</b>	
JANUARY 1998	
<b>STANDARD DRAWING NO. E 715-PCEX-01</b>	
	DETAILS PLACED IN THIS FORMAT 7-27-99 /s/ Anthony L. Uremovich 7-27-99 DESIGN STANDARDS ENGINEER DATE
DESIGN STANDARDS ENGINEER	/s/ Firooz Zandi 7-27-99 CHIEF HIGHWAY ENGINEER DATE ORIGINALLY APPROVED 1-02-98