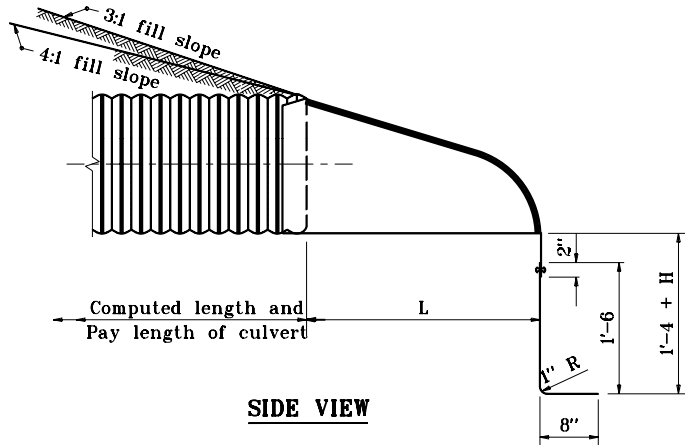
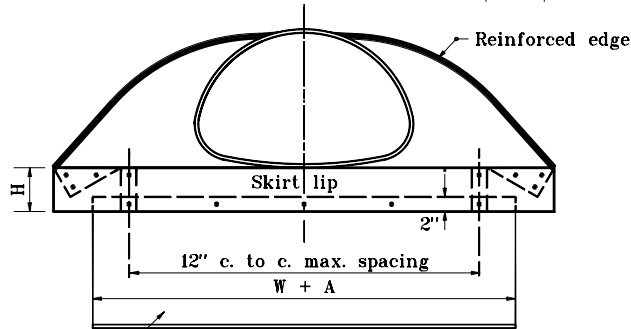


PIPE-ARCH DIMENSIONS		END SECTION THICK. (in.)	DIMENSIONS					APPROX. SLOPE	BODY
SPAN	RISE		A (±1")	B (Max.)	H (±1")	L (±1½")	W (±2")		
17	13	.064	7	9	6	19	30	2½:1	1 Pc.
21	15	.064	7	10	6	23	36	2½:1	1 Pc.
24	18	.064	8	12	6	28	42	2½:1	1 Pc.
28	20	.064	9	14	6	32	48	2½:1	1 Pc.
35	24	.079	10	16	8	39	60	2½:1	1 Pc.
42	29	.079	12	18	9	46	75	2½:1	1 Pc.

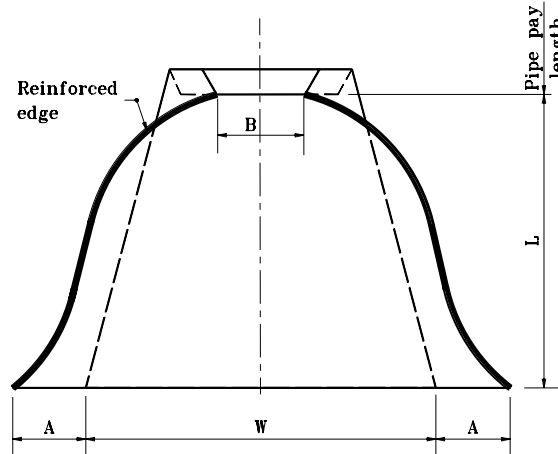


**SIDE VIEW**



**END VIEW**

Toe plate anchor



**PLAN VIEW**

INDIANA DEPARTMENT OF TRANSPORTATION	
<b>METAL PIPE ARCH</b>	
<b>END SECTION</b>	
JANUARY 1998	
<b>STANDARD DRAWING NO. E 715-MPES-02</b>	
DETAILS PLACED IN THIS FORMAT 11-15-99	
	/s/ Anthony L. Uremovich 11-15-99 DESIGN STANDARDS ENGINEER DATE
	/s/ Firooz Zandi 11-15-99 CHIEF HIGHWAY ENGINEER DATE
	ORIGINALLY APPROVED 1-02-98