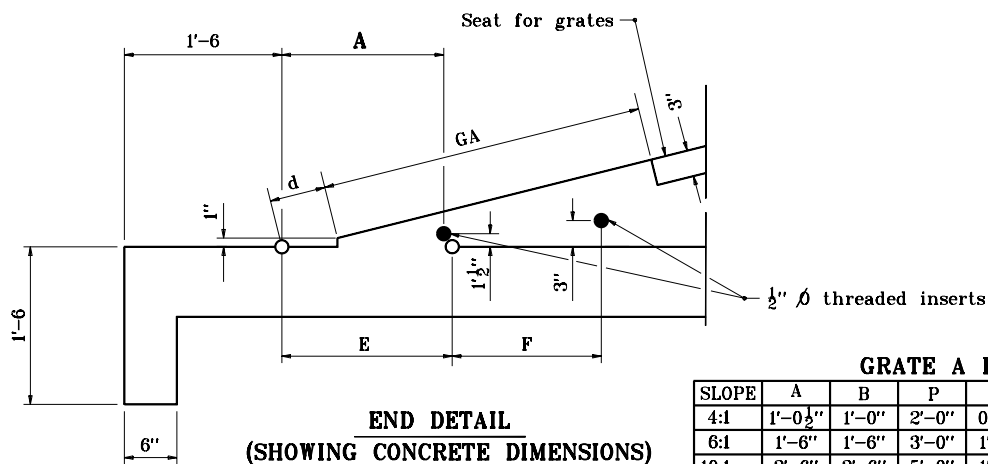
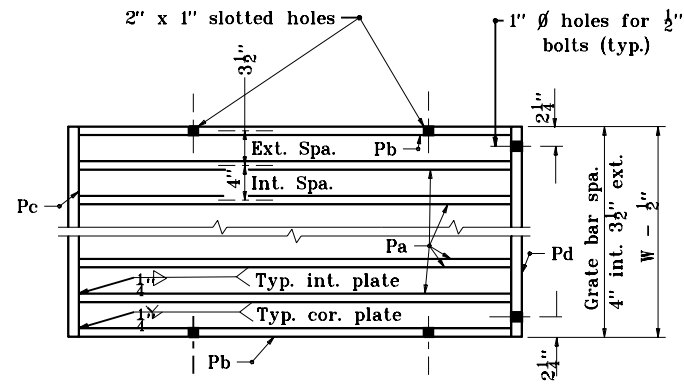


GRATE B & C



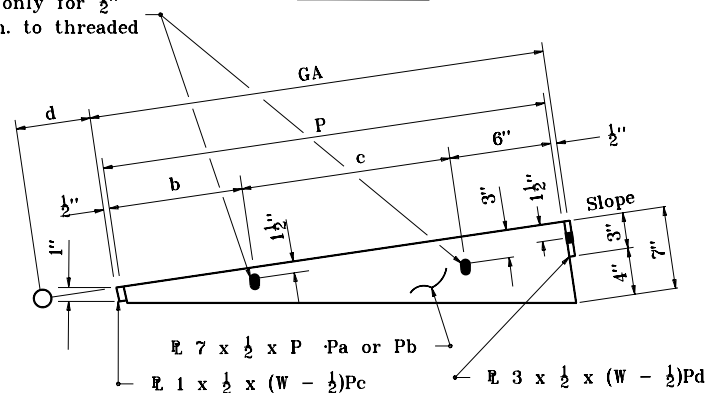
GRATE A DIMENSIONS TABLE

SLOPE	A	B	P	b	c	d	E	F	G
4:1	1'-0 1/2"	1'-0"	2'-0"	0'-8"	0'-10"	4"	1'-0 1/2"	0'-10"	2'-1"
6:1	1'-6"	1'-6"	3'-0"	1'-0"	1'-6"	6"	1'-6 1/2"	1'-6"	3'-1"
10:1	2'-6"	2'-6"	5'-0"	1'-8"	2'-10"	10"	2'-6 1/2"	2'-10"	5'-1"



PLAN VIEW

1" x 2" slotted hole in R, Pb only for 1/2" bolt conn. to threaded inserts.



ELEVATION GRATE A

INDIANA DEPARTMENT OF TRANSPORTATION
GRATED BOX END SECTION
TYPE II
 JANUARY 1999

STANDARD DRAWING NO. E 715-GBTT-04

	DETAILS PLACED IN THIS FORMAT 11-15-99
	/s/ Anthony L. Uremovich 11-15-99 DESIGN STANDARDS ENGINEER DATE
	/s/ Firooz Zandi 11-15-99 CHIEF HIGHWAY ENGINEER DATE
DESIGN STANDARDS ENGINEER	ORIGINALLY APPROVED 1-04-99