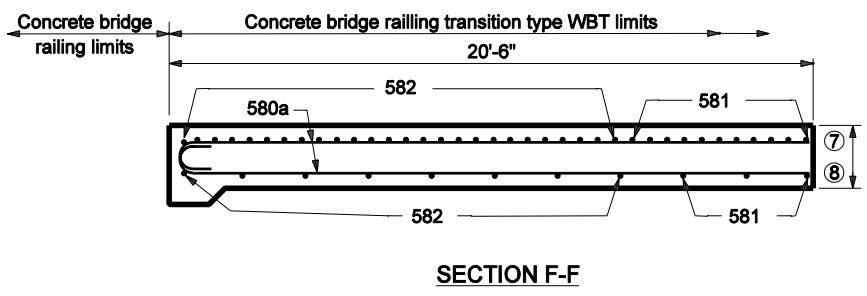
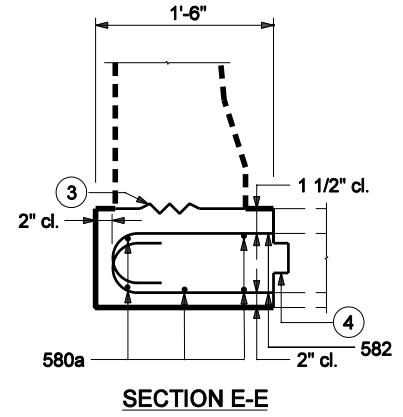
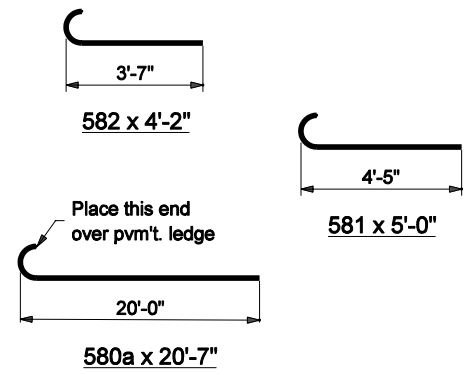


**NOTES:**

1. See Standard Drawing E-706-TASE-05 for General Notes.



BILL OF MATERIALS			
These quantities are for one approach slab extension.			
EPOXY COATED REINFORCING STEEL			
Size & type	No. of Bars	Length	Weight (lb)
580a	5	20'-7"	
581	12	5'-0"	
582	40	4'-2"	
#5	2	4'-2"	
Total #5 Bars			352
Total Epoxy Coated Steel			352
MISCELLANEOUS			
10" R.C. Pvmt.			3.8 yd <sup>2</sup>



INDIANA DEPARTMENT OF TRANSPORTATION	
<b>BRIDGE RAILING TRANSITION WBT SLAB EXTENSION</b>	
SEPTEMBER 2004	
STANDARD DRAWING NO. E 706-TASE-04	
	<i>/s/ Richard L. VanCleave</i> 9-01-04 DESIGN STANDARDS ENGINEER DATE
	<i>/s/ Richard K. Smutzer</i> 9-01-04 CHIEF HIGHWAY ENGINEER DATE
DESIGN STANDARDS ENGINEER	